



2023 CATALOG



**INTENTIONALLY LEFT BLANK
FOR TWO-PAGE VIEWING**

EVERYTHING YOU NEED

TO ENJOY A DAY ON THE WATER



LEWMAR

LIPPERT

SURESHADE
by LIPPERT

TrendMarine

CURT



LIPPERT

Lippert is a leading, global manufacturer and supplier of highly engineered products and customized solutions dedicated to shaping, growing and bettering the RV, marine, automotive, commercial vehicle and building products industries. We combine our strategic manufacturing capabilities with the power of our winning team culture to deliver unrivaled customer service, award-winning innovation and premium products to every industry and person we serve.



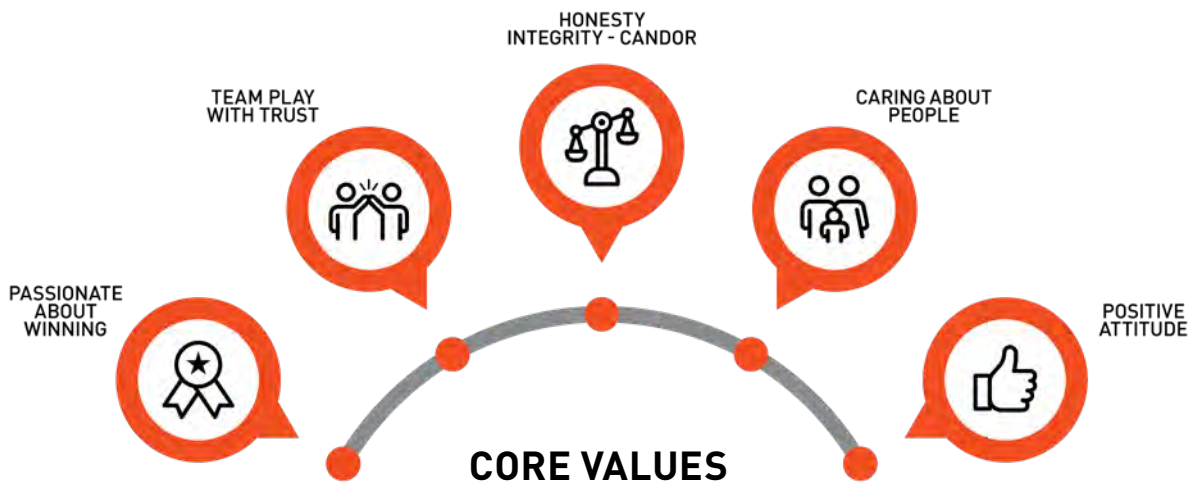
BUSINESS AS A FORCE FOR GOOD



Learn how we're making a difference

OUR VISION: TO BE A FORCE FOR GOOD IN THE WORLD

Since 2016, Lippert has focused on designing a cultural foundation from which our success is based, and it stems from one simple driving force: At Lippert, Everyone Matters. From the shop floor to the C-suite, we simply care about people. Our culture is grounded in our five core values that we practice in our business every day.



OVER FIVE YEARS OF IMPACT



2,000+
non-profits served



550,000+
volunteer hours



\$2,000,000+
annually donated to charity

NEW PRODUCTS



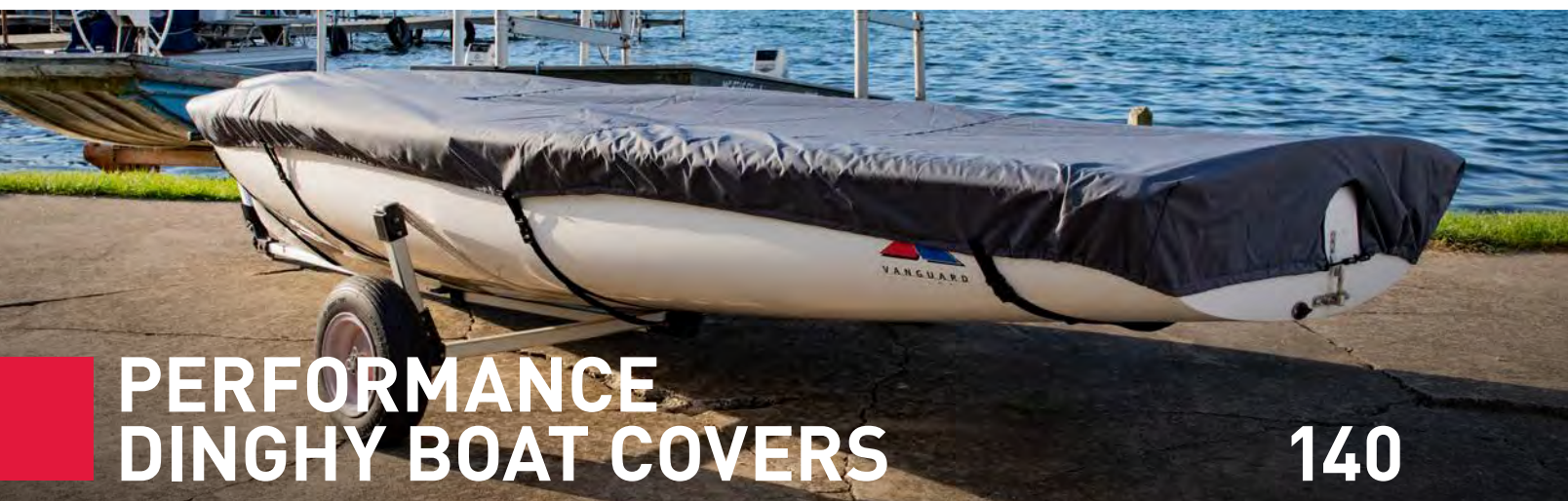
**EASYGUIDE
FLOAT SYSTEM**

33



**TOWABLE
TUBES**

50



**PERFORMANCE
DINGHY BOAT COVERS**

140

FENDERS & BUOYS

Inflatable vinyl fenders, specialty fenders, fender-loc lines, covers, hardware and buoys

004 - 033

ANCHORING & MOORING

Mooring buoys, marker buoys, mooring whips, Legacy series anchors, life rings and accessories

034 - 049

WATER SPORTS EQUIPMENT

Two, three and four person towable tubes, tow boosters and tow ropes

050 - 055

DOCK PRODUCTS

Dock boxes, steps, floats and lines, dock edging, corners, wheels, bumpers and more

056 - 077

BIMINI TOPS & SHADES

Bimini BoaTops, pontoon biminis, specialty shades, sailshades and more

078 - 105

BOAT COVERS

Boat covers, custom and specialty covers and personal watercraft covers

106 - 145

BOATING FLAGS & PENNANTS

USA, international, state and fisherman flags, signal flags and pennants, flag poles and mounts

146 - 167

BOAT MAINTENANCE

Cleaning accessories, hatch parts, shocks and more

168 - 180



FENDERS & BUOYS



FEATURED PRODUCTS



| Super Gard™ fenders

Our fenders are made with marine-grade vinyl, have a seamless one-piece construction and double-molded ends for extra strength.



| Fender-loc line kits

Tough, colorful lines made to last and match your fenders! These 6' fender lines will not fade or kink, and are rot-resistant.



| Tuff-End™ buoys

Constructed from the same flexible, resilient vinyl as our Super Gard fenders, the end in each buoy is injection molded for extra strength.

PRODUCT INDEX



06
Inflatable Vinyl
Fenders



12
Raft
Cushions



13
Square Low
Freeboard
Fenders



13
Freedom
Fenders



14
Specialty
Fenders



17
Fender
Covers



19
Fender
Lines



20
Fender Hangers
& Hardware



28
Tuff-End™
Buoys



31
Personal
Watercraft
Buoys



32
Yacht Fenders
& Covers



33
EasyGuide
Float System



SUPER GARD™ INFLATABLE VINYL FENDERS

- Double-molded ends resist ripping and tearing for added protection
- Ribbed technology design minimizes roll
- Rubber football needle inflation valve for easy inflation to 2 psi
- Features patented True Color® technology color process to provide deeper, richer colors
- Tough and durable marine-grade vinyl withstands the harsh marine elements
- Two-eyelet shape accommodates 5/8" lines
- Available in a variety of custom colors with a high gloss finish
- Lifetime guarantee against splitting or bursting



**LIFETIME
GUARANTEE**
against splitting or bursting



Double-molded ends resist tearing and add strength against the stress of compression and flexing against docks or other boats



You are sure to find the perfect shade to match your boat with our patented color matching process to your boat's gelcoat



One-piece seamless construction and ribbed fendering technology make this fender the top-seller among boat owners



Depth	Length	Boat Size	Case Qty	White #	Mid Atlantic Blue #	Black Onyx #	Burgundy #	Emerald Green #	Captain's Navy #
5-1/2"	20"	15' to 20'	6	950520	951520	952520	953520	954520	957520
6-1/2"	22"	20' to 25'	6	950622	951622	952622	953622	954622	957622
8-1/2"	26"	25' to 35'	4	950824	951824	952824	953824	954824	957824
10-1/2"	30"	35' to 50'	2	950128	951128	952128	953128	954128	957128



Depth	Length	Boat Size	Case Qty	Ruby Red #	Aurora Gold #	Yellow #	Lime Green #	Blaze Orange #	Silver Mist / Black Swirl #	Silver Mist / Navy Swirl #
5-1/2"	20"	15' to 20'	6	955520	960520	958520	974520	730520	947520	977520
6-1/2"	22"	20' to 25'	6	955622	960622	958622	974622	730622	947622	977622
8-1/2"	26"	25' to 35'	4	955824	960824	958824	974824	730824	947824	977824
10-1/2"	30"	35' to 50'	2	955128	960128	958128	974128	730128	--	--



STORM GARD® INFLATABLE VINYL FENDERS

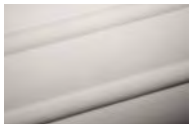
- Ribbed technology design minimizes roll
- Rubber football needle inflation valve for easy inflation to 2 psi
- Features patented True Color® technology color process to provide deeper, richer colors
- Tough and durable marine-grade vinyl withstands the harsh marine elements
- Two-eyelet shape accommodates 5/8" lines
- Available in a variety of custom colors with a high gloss finish
- Lifetime guarantee against splitting or bursting



You are sure to find the perfect shade to match your boat with our patented color matching process to your boat's gelcoat



One-piece seamless construction and ribbed fendering technology make this fender the top-seller among boat owners



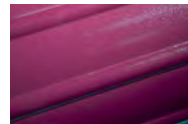
White



Mid-Atlantic Blue



Black Onyx



Burgundy



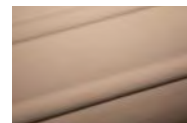
Emerald Green



Captain's Navy

Depth	Length	Boat Size	Case Qty	White #	Mid Atlantic Blue #	Black Onyx #	Burgundy #	Emerald Green #	Captain's Navy #
5-1/2"	20"	15' to 20'	6	252000	252004	252007	252053	252054	252057
6-1/2"	22"	20' to 25'	6	262300	262304	262307	262353	262354	262357
8-1/2"	27"	25' to 35'	4	282600	282604	282607	282653	282654	282657

Depth	Length	Boat Size	Case Qty	Aurora Gold #	Silver Mist #
5-1/2"	20"	15' to 20'	6	252079	252047
6-1/2"	22"	20' to 25'	6	262379	262347
8-1/2"	27"	25' to 35'	4	282679	282647



Aurora Gold



Silver Mist



Storm Gard®
pictured

BOATGUARD® INFLATABLE VINYL FENDERS

- Designed with flexible, resilient marine-grade vinyl for heavy-duty marine applications
- UV-resistant vinyl prevents wearing and cracks
- Twin eye design allows for vertical or horizontal hanging
- Can be inflated easily with standard pump or compressor



Made from one-piece seamless construction and high-quality, marine-grade vinyl to withstand the harshest marine environments



The molded, ribbed exterior helps keep your fenders in place, preventing rolling that could expose your boat to damages

Depth	Length	Boat Size	Case Qty	White #	White Two-Pack#	Mid Atlantic Blue #	Black Onyx #	Black Onyx Two-Pack#
4"	16"	10' to 15'	12	31013	310132P*	543114	643114	--
5"	18"	15' to 20'	6	31015	310152P*	543115	643115	31015B2P*
6"	22"	20' to 25'	6	31016	310162P*	543116	643116	31016B2P*
8"	26"	25' to 35'	4	31014	--	543117	643117	--

* Two-pack numbers include black rope



HULL-GARD® INFLATABLE VINYL FENDERS

- Unique oval shape keeps fender in position
- Maximum protection with unsurpassed softness and superior strength
- Rubber football needle inflation valve for easy inflation to 2 psi
- Features patented True Color® technology color process to provide deeper, richer colors
- One-piece seamless construction
- Tough and durable marine-grade vinyl withstands the harsh marine elements
- Two-eyelet shape accommodates 5/8" lines
- Available in a variety of custom colors with a high gloss finish
- Lifetime guarantee against splitting or bursting



One-piece seamless construction and unique oval shape adds even more protection as it minimizes roll and damage



You are sure to find the perfect shade to match your boat with our patented color matching process to your boat's gelcoat



Double-eyelets make securing lines a snap so you can enjoy your day on the water instead of worrying about boat damage



Depth	Length	Boat Size	Case Qty	White #	Mid Atlantic Blue #	Black Onyx #	Burgundy #	Emerald Green #	Captain's Navy #
4-1/2"	16"	10' to 15'	12	1021	41021	31721	--	--	--
5-1/2"	20"	15' to 20'	6	1022	41022	31722	531022	541022	571022
6-1/2"	22"	20' to 25'	6	1023	41023	31723	531023	541023	571023
8-1/2"	26"	25' to 35'	4	1028	41028	71028	531028	541028	571028
10-1/2"	30"	35' to 50'	2	1024	41024	71024	531024	541024	571024

Depth	Length	Boat Size	Case Qty	Ruby Red #	Aurora Gold #
4-1/2"	16"	10' to 15'	12	--	--
5-1/2"	20"	15' to 20'	6	551022	601022
6-1/2"	22"	20' to 25'	6	551023	601023
8-1/2"	26"	25' to 35'	4	551028	601028
10-1/2"	30"	35' to 50'	2	551024	601024



BIG B™ INFLATABLE VINYL FENDERS

- End-to-end line passage with a 5/8" rope to hang horizontally or vertically
- Great for vertical or horizontal applications
- Ribbed technology design minimizes roll
- Rubber football needle inflation valve for easy inflation to 2 psi
- Features patented True Color® technology color process to provide deeper, richer colors
- Tough and durable marine-grade vinyl withstands the harsh marine elements
- Available in a variety of custom colors with a high gloss finish
- Lifetime guarantee against splitting or bursting



**LIFETIME
GUARANTEE**
against splitting or bursting



Tough and durable marine-grade vinyl withstands the harsh marine elements



Patented True Color® technology color process to provide deeper, richer colors



Ribbed technology design minimizes roll



Depth	Length	Boat Size	Case Qty	White #	Mid Atlantic Blue #	Black Onyx #	Burgundy #	Emerald Green #	Captain's Navy #	Aurora Gold #
6"	15"	20' to 25'	6	1025	41025	71025	531025	541025	571025	601025
8"	20"	25' to 35'	4	1026	41026	71026	531026	541026	571026	601026
10"	26"	35' to 50'	2	1032	41032	71032	531032	541032	571032	601032
12"	34"	50' to 60'	2	1034	41034	71034	531034	541034	41032	601034



TUFF END™ INFLATABLE VINYL FENDERS

- Seamless one-piece construction
- Injection molded ends tested to 2,000 PSI tensile strength
- Designed with flexible, resilient marine-grade vinyl for heavy-duty marine applications
- Features large line holes to fit most ropes and shackles
- Twin eye design allows for vertical or horizontal hanging
- 1-year limited warranty



Depth	Length	Boat Size	Line-Hole Diameter	Case Qty	White #	Blue #
6"	15"	Up to 30'	1-1/6"	12	1182	41182
8"	20"	25' to 40'	1-1/6"	8	1185	41185
10"	26"	40' to 50'	1-1/2"	5	1188	41188
12"	34"	50' to 60'	1-1/2"	4	1191	41191
15"	41"	60' to 70'	1-1/2"	2	1192	41192
19"	50"	70' to 80'	1-1/2"	2	1193	41193
24"	57"	80' to 100'	1-1/2"	1	1194	41194
32"	77"	Over 100'	1-1/2"	1	1195	41195



RAFTING CUSHIONS

- Cushions have lateral reinforcement to resist compression
- Can be hung vertically or horizontally
- Rubber football needle valve for easy inflation
- Six molded tubes for crush resistance
- Made with marine-grade vinyl
- Patented design



Our fenders offer more protection against boats bumping into each other than conventional fenders

Rectangle design and six molded tubes make them crush resistant so they won't roll or ride up and stay in position

Part #	Length	Width	Diameter
46090	15"	15"	6-1/2"
46095	20"	20"	7-5/8"
46100	26"	26"	9-5/8"



SQUARE LOW FREEBOARD FENDERS

- Specifically designed to help protect low freeboard boats
- Football needle valve for easy inflation and long life
- Built to protect your boat's gunwales and rub rail
- Heavy-duty, marine-grade vinyl
- Square design to prevent fender from rolling out of place



Depth	Length	White #	Metallic Black #	Metallic Red #	Camo #
5"	14"	31005	31006	31055	31043
7"	23"	31007	31008	--	--

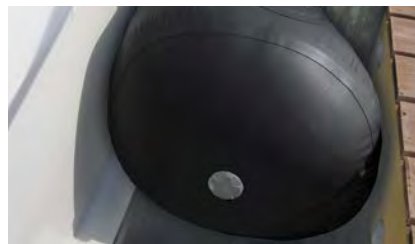


FREEDOM FENDERS

- Needle valve for easy inflation (roto-molded models only)
- Recessed line holders fit in standard fender racks (roto-molded models only)
- Rotationally molded from heavy-gauge PVC
- Deflates and rolls up for easy storage (welded models only)
- Can hang vertically or horizontally
- Tolerates the harsh marine elements



Unique V-shaped design self-centers the fenders in place and will not move



Spring-actuated valve with quarter turn lock

Width	Length	Boat Size	Black #	White #
12"	32"	35' to 65'	FF3212B (roto)	FF3212W (roto)
18"	48"	70' to 100'	FF4818B (welded)	--
25"	58"	100' to 200'	FF5825B (welded)	--



PONTOON FENDERS

- Molded-in ridge hooks underneath pontoon deck to help secure fender in place
- Fender rail straps included
- Contoured shape helps to hug the rounded shape of the pontoons
- Patented design

Width	Length	White #	Aurora Gold #	Silver Mist #
9"	16"	31030	31037	31035



PONTOON FENCE SAVER

- Secures to the fence or railing and is designed to prevent contact to the delicate aluminum fencing
- Constructed with a UV-resistant polyethylene for added strength and protection
- Easily attaches to the fence or railing with a buckle and adjustable strap

Part #	Width	Length
31032	9"	36"



PONTOON CORNER GUARD

- Flex to fit Radius and 90-degree corners
- Silver color matches aluminum decking
- Stainless fasteners included
- Air-cushioned impact protection

Part #	Width	Length
31038	3"	12"

PONTOON RAIL FENDER ADJUSTER

- Clamps securely to square tubing
- Can be repositioned quickly and easily
- Constructed from durable ABS plastic
- Simple height adjustment for lines up to 1/2"
- 1" or 1-1/4" square tube pontoon rails



Easily clamp on to your 1" to 1-1/4" square tube rails, to position your fenders in place when docking, mooring or rafting

Part #	Includes	Line Size
1139	Four fender adjusters	Up to 1/2"
11391	Counter top merchandiser with 36 pieces	Up to 1/2"

HULL-SAVER™ VINYL COVERED FLAT & CONTOUR FENDERS

- Made with a tough and flexible polyethylene foam and covered with a UV resistant and tear-proof vinyl
- Corrosion-proof grommets
- Wraps vertically to protect gunwales and stows away easily
- Available in white, black and blue



Corrosion-proof grommets make attachment easy for any application



Flat fenders



Contoured fenders

Width	Length	Diameter	White #	Blue #	Black #
Flat Design					
6"	26"	2-1/2"	337	338	339
6"	30"	4"	341	342	343
Contoured Design					
6"	24"	2-1/2"	322	321	328
6"	30"	4"	323	324	329

VINYL COVERED RAFTING FENDERS

- Our contour boat fenders offer you the best protection for your boat and can be used for any boating application
- Made with a tough and flexible polyethylene foam, our Taylor Made boat fenders are covered with a UV-resistant and tear-proof vinyl
- They withstand the damaging elements and will offer long-lasting protection for many seasons
- Available in white, black and blue
- Available in two sizes: 24" L x 6" W x 2-1/2" D and 30" L x 6" W x 4" D



Height	Length	Profile	White #	Mid-Atlantic Blue #
15"	7' 4"	Small	332	331
22"	7' 4"	Medium	334	333
26"	9'	Large	336	335

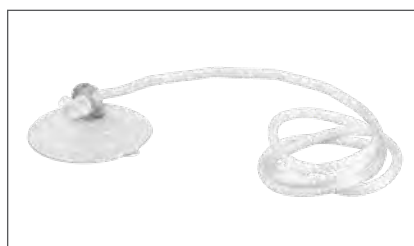


PERSONAL WATERCRAFT FENDERS

- Designed to fit the profiles of MOST personal watercraft (PWC) in which the underside of the bond flange is open to allow the fender to "hook"
- Not a custom fit fender, will provide differing fits depending on year, make or model
- Fender bottom is shaped to "hook" under the bond flange for quick attachment
- Flex areas on the fender provide a "hinge" action that allows the fender to conform to the shape of the watercraft
- Use only at slow speed for docking, not for use under full speed



Features an inflation valve for air pressure adjustment



Includes a suction cup and securing line

White #	Mid-Atlantic Blue #	Onyx Black #	Ruby Red #	Yellow #
1069	1075	1062	1066	1067



TRANSOM FENDER

- Unique shape to fit sailboat stern or swim platform
- Soft flexible vinyl construction
- Rubber sports ball inflation valve
- 3/4" pass-through tube for securing line
- Patented design

Part #	Height	Width	Pass-Through Tube
56090	10"	22"	3/4"



MERMAID FENDERS

- Protection and decorative
- Ideal for smaller boats
- Soft, flexible vinyl
- Molded rubber football inflation valve

Width	Height	White #	Pink #
5"	22"	34444	34460*

* 10% of proceeds go to breast cancer research



TRADITIONAL FENDER BOOTS

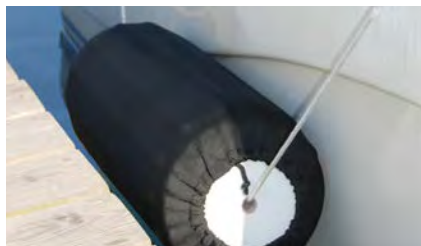
- Constructed with a tough and resilient 100% polyester fabric to safeguard your boat
- Secure and snug fit so you don't have to worry if they will stay on the bumper
- Neoprene elastic on the top and bottom of the cover allows for a fit that stays in place
- Smooth polyester fabric resists picking up dirt and grit
- Includes two fender boots

Blue #	Black #	Fits Fender Size
5002	5042	6" x 15" and 6-1/2" x 23"
5003	5043	8" x 20" and 7-1/2" x 27"
5004	5044	10" x 26" and 10-1/2" x 30"



HEAVY-WEIGHT FENDER COVERS

- Constructed with 100% polyester fabric to withstand the wear and tear of the water and sun
- Resistant to UV rays, abrasion and mildew
- High elasticity for a secure fit
- Adjustable, high-strength polypropylene rope on the top and bottom of the cover adds protection
- Simply toss them into the washing machine with a mild detergent in cold water and they will last for many boating seasons



100% polyester fabric will withstand the wear and tear of the water and sun



High elasticity for a secure fit



Adjustable, polypropylene rope on the top and bottom of the cover adds protection

Navy #	Black #	Fits Hull-Guard Size	Fits Super Gard Size	Fits Big B Size
9204N	9204R	6-1/2" x 23"	5-1/2" x 20"	6" x 15"
9205N	9205R	8-1/2" x 27"	8-1/2" x 26"	8" x 20"
9206N	9206R	10-1/2" x 30"	10-1/2" x 30"	10" x 26"
9207N	9207R	--	--	12" x 34"

BIG B™ FLEECE FENDER COVERS

- Our fleece fender covers offer double protection- they protect your Big B™ fenders
- Protect against any marring or scarring of your hull
- Made with 100% polyester 12 oz. Blizzard Fleece
- Available in navy and black and come in two sizes

Navy #	Black #	Fits Fender Size
9035	9031	8" x 20"
9036	9032	10" x 26"





FENDER-LOC FENDER LINES & ADJUSTER KITS

- Built-in loop eliminates knot tying
- A secure and adjustable tie-off for your fenders
- Lines are color matched to your fenders and other accessories
- Tough polypropylene material
- Fade-resistant and won't kink
- Line only includes two fender lines
- Kits include one fender line and one Tidy-Ups™ fender adjuster



Our adjustable fender lines can be matched to your fenders thanks to our True Color® technology for a perfect match



Our boat fender lines are fade-resistant, will not kink and holds up against the rigors of the marine environment



Tough polypropylene braided rope has a built-in loop for a secure and adjustable tie-off

Diameter	Length	White #	Mid Atlantic Blue #	Black Onyx #	Burgundy #	Emerald Green #	Captain's Navy #	Aurora Gold #
Lines Only (Two-Pack)								
3/8"	6'	11311	11312	11313	11315	11316	11317	11318
Line & Adjuster Kits								
3/8"	6'	1131	1132	1133	1135	1136	1137	1138

TIDY-UPS™ FENDER ADJUSTERS

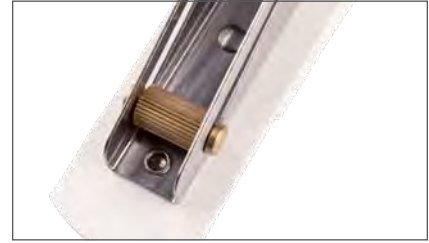
- Quick and easy to use
- Snap adjuster strap over your lifeline, railing, or stanchion
- UV-resistant vinyl straps



Tightly holds to bow rails, grab rails, lifelines, cleats and more



These fender adjusters simply snap over your lifelines or railing and are ready to use

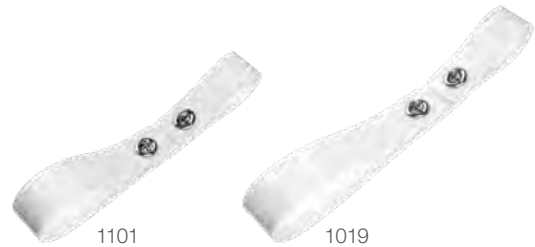


Holds lines up to 5/8" in diameter

White #	Black #	Rail	Fits
1015	1016	Standard	Up to 5/8" fender lines
1018	--	Large	Up to 5/8" fender lines

TIDY-UPS™ LINE HOLDERS

- UV resistant vinyl straps
- Secures with swivel fastener
- Available in white



These line holders simply snap over your lifelines or railing and are ready to use

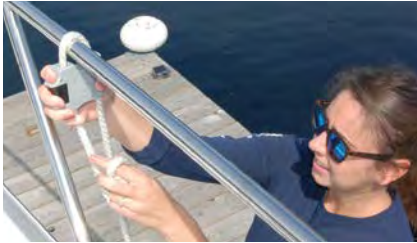


Secures with swivel fastener

Part #	Fits
1019	1/2" to 2" rails
1101	1" to 1-1/4" rails

QUICK DRAW™ FENDER ADJUSTER

- Tightly holds to bow rails, grab rails, lifelines, cleats and more
- Stainless steel screws and internal spring



Instantly adjust fender height with a push of a button



Can be used together to horizontally hang a Big B™, Storm Gard® or Hull-Gard® fender



1092

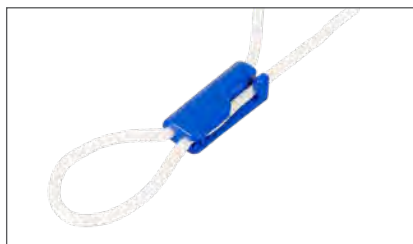
Part #	Fits
1092	1/4" to 1/2" fender lines

QUICK KNOT® FENDER HANGER

- One-piece molded nylon
- Corrosion-proof
- For up to 1/4' diameter ropes
- Easy installation
- Available in rope diameters 1/2" to 5/8"
- Includes four hangers



Our boat fender hangers make your life so much easier with strong teeth inside that secure your ropes tightly without tearing



Simply insert the rope into the hanger and loop over your hook, railing or lifeline, thread the rope back through the hanger and pull



1098

Part #	Height	Width	Depth
1098	2-1/8"	1-1/8"	3/4"

OVERSIZED J-HOOK

- Fits all standard 1" or 1-1/2" railings for Taylor Made stainless steel fender racks



Part #	Fits
32191	1" or 1-1/2" railings

VERTICAL RAIL FENDER HANGER

- Made with heavy-duty marine-grade nylon
- Easy, two-screw installation



Part #	Fits Rope Size	Includes
1099	Up to 5/8"	Two hangers

RAIL MOUNT FENDER LINE CLIP

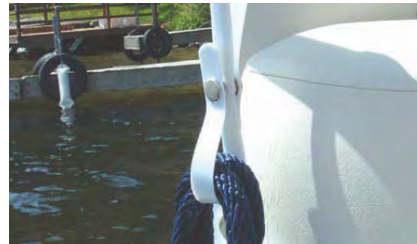
- For hanging fenders and power cords to the railing
- Injection-molded polyethylene



Part #	Fits	Includes
1093	7/8" diameter railings	Two clips

LINE HANGER

- Durable PVC mounting band snaps over any rail, lifeline or stanchion
- Snap around your coil of rope or cord to secure



Part #	Length
1006	9-1/2"

STAINLESS STEEL FENDER RACKS

- High gloss #316 stainless steel
- Folds flat for easy storage
- Cross reinforced for extra strength
- Comes pre-assembled
- Tightens to accommodate any angle

Part #	Fits Fender Size	Holds
2009	7" to 9" diameter	Two fenders
3009	7" to 9" diameter	Three fenders
2011	9" to 11" diameter	Two fenders
3011	9" to 11" diameter	Three fenders



Constructed with the durable and strong with the high-gloss 316# stainless steel, your fenders will remain secure

MINI FENDER KEYCHAIN FLOATS

- Keep your keys afloat
- Quickly identify our port and starboard engine ignitions with the bright red (Port) and neon green (Starboard) key chain fender floats.

Part #	Width	Height
2059	2"	5"



2059



RAIL FENDER HANGER

- Made from injection molded, high impact and UV-resistant nylon
- Unique design makes it easy to adjust fender height and locks in place with a jam cleat – no knots
- Accepts 1/4" to 1/2" rope
- Finger tip adjusting
- No moving parts

Part #	Fits
1108	Up to 1" rails
1109	Up to 1-1/4" rails



Made from injection molded, high impact and UV resistant nylon



1108

HAND PUMP WITH HOSE ADAPTER

- Ideal for fenders and water toys
- Made from ABS Plastic
- Hose adapter for hard-to-reach valves
- Compact, easy to stow
size: 8" L x 1.5" D



1005

Part #	Includes
1005	Pump and adapter hose
31010	Three replacement needles

RATCHETING FENDER HANGER

- Versatile uses-hang your boat fenders and adjust the height
- Strap is UV-resistant
- Won't fray or unwind
- Easy to use
- 3/4" strap width
- Includes one strap

Part #	Adjustable Length
1089	6" to 24"



1089



Versatile uses-hang your boat fenders and adjust the height

BIG B™ FENDER HANGER

- Designed for fenders with 3/8" internal diameter tubing
- Vented to prevent water accumulating in the fender tube
- A professional and finished look
- Internal teeth provide a strong grip
- Injection molded reinforced nylon for added strength



Internal teeth provide a strong grip

Part #	Includes	Accepts	Fits Fender Tubing
1085	Three fender hangers	5/8" diameter rope	3/4" inside diameter
11085	Counter top merchandiser with 36 pieces	5/8" diameter rope	3/4" inside diameter

May be used on other brands, but due to variation among brands the consumer must verify a tight enough fit between the tube and product for proper function (center tube must be small enough to keep the product halves firmly together)

HOOK & LOOP FENDER STRAP

- Adjust your fenders quickly and easily
- Made with a tough polyester webbing
- Tough marine-grade vinyl
- Easy to use
- Includes two straps



1094



Made with a tough polyester webbing

Part #	Width	Length
1094	3/4"	36"



Adjust your fenders quickly and easily

RAIL / LIFE LINE FENDER BRACKET

- Injection-molded nylon clamp brackets
- Double-locking for quick and easy fender height adjustment
- Easy installation
- Clamp onto lifeline or rail
- Includes two brackets

Part #	Mounts To
1097	7/8" to 1" railings Up to 1/4" life lines



Clamp onto life line or rail

LIFE LINE FENDER CLIP

- Injection molded polyethylene
- Holds fenders up to 7/16" in diameter
- Measures 3-3/8" (L) x 1-1/2" (W) x 1" (D)
- Easy installation
- Includes two brackets

Part #	Mounts To
1096	3/16" to 1/4" life lines



Use for hanging fenders, holding power cords, etc.



STAINLESS STEEL FENDER LOCK

- Durable stainless steel
- Accepts fender lines up to 1/2"
- Mounting screws included
- Adjustable and fixed fender pegs
- One-way locking peg
- Secure and reliable mounting
- Sold individually - package of (1)



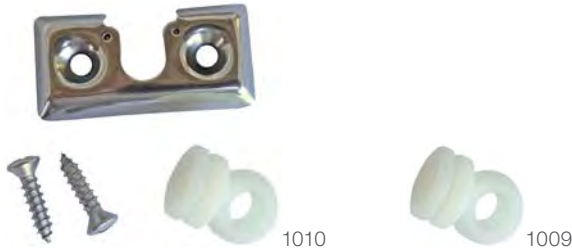
Use for hanging fenders

Part #	Accepts
1001	1/2" fender lines



TRADITIONAL STAINLESS STEEL FENDER LOCK SET

- These low profile fender lock bases make hanging fenders fast and easy
- Accepts rope sizes up to 1/4"



These low profile fender lock bases make hanging fenders fast and easy

Part #	Includes
1010	One lock, one peg and two screws
1009	Replacement locking peg for #1010

READY CLEAT

- Portable, instant cleat used as an insert to the rod holder, when a fender is required for docking and no permanent cleat is available
- Made from high-impact glass fiber reinforced Lexan to withstand the harsh marine environment

Part #	Height	Width	Depth
1084	3-1/2"	14-1/2"	9-1/2"



Can insert into any standard size rod holder, up to 9.5" in depth



PREMIUM REMOVABLE CHAFE GUARDS

- Constructed from 1050 denier ballistic nylon for excellent durability
- Protects where fender or dock lines rub against paint or gelcoat surfaces
- Easy install with hook-and-loop closure
- Available in 2', 3' or 4' lengths
- Includes one chafe per package

2' Long #	3' Long #	4' Long #	Line Diameter
BCG78.24	BCG78.36	BCG78.48	3/4" to 7/8"
BCG125.24	BCG125.36	BCG125.48	1-1/4"
BCG150.24	BCG150.36	BCG150.48	1-1/2" to 2"



Use for hanging fenders, holding power cords, etc.



NET BUOYS

- Heavy-duty marine-grade material with Injected molded ends
- Trivalve for easy inflation with needles or compressor – valve is located on the side of fender for easy access
- Eyelet shape designed with a taper to allow the attachment of a standard shackle



Circumference	Depth	Length	Salt Water Buoyancy	Fresh Water Flotation	Rope-Eye Diameter	Blaze Orange #	Rocket Red #	Neon Red #	Neon Yellow #	Neon Green #	Case Qty
28"	9"	12"	16 lbs.	15 lbs.	1-1/16"	--	502809	702809	802809	902809	18
38"	12"	16"	38 lbs.	36 lbs.	1-1/16"	--	503812	703812	803812	903812	14
47"	15"	21"	83 lbs.	80 lbs.	1-1/2"	304715	504715	704715	804715	904715	6
57"	18"	24"	132 lbs.	128 lbs.	1-1/2"	305718	505718	705718	805718	905718	5
66"	21"	27"	200 lbs.	194 lbs.	1-1/2"	306621	506621	706621	806621	906621	3
85"	27"	33"	421 lbs.	408 lbs.	1-1/2"	308527	508527	--	808527	908527	2
107"	34"	41"	815 lbs.	790 lbs.	1-1/2"	3010734	5010734	7010734	8010734	9010734	1



THE SPOILER® LOW DRAG BUOY

- Unique rib design creates the turbulence necessary to lift the buoy from the water's surface generating up to 88% less drag
- Curved design prevents rope chafing
- Round buoy body increases buoyancy



Patented Trivalve allows for quick inflation without removing the valve



Circumference	Depth	Length	Salt Water Buoyancy	Fresh Water Flotation	Rope-Eye Diameter
33"	10-1/2"	18"	41 lbs.	37 lbs.	1-1/16"
41"	13"	24"	90 lbs.	84 lbs.	1-1/2"
50"	16"	27"	146 lbs.	138 lbs.	1-1/2"

Circumference	Orange #	Neon Red #	Rocket Red #	Neon Yellow #	Neon Green #	White #	Black #	Blue #	Blaze Orange #	Case Qty
33"	54000	54001	54002	54003	54004	54005	54006	54007	54009	10
41"	54010	54011	54012	54013	54014	54015	54016	54017	--	5
50"	54020	54021	54022	54023	54024	54025	54026	54027	--	4



TUFF-END™ BUOYS

- Seamless one-piece construction for superior strength
- Injection molded ends tested to 2000 PSI tensile strength
- Designed with flexible, resilient marine-grade vinyl for heavy-duty marine applications
- Features large line holes to fit most ropes and shackles
- Recommended inflation is 2 PSI
- One-year performance guarantee



Tuff End™ Buoys are designed with heavy-duty, marine-grade vinyl, seamless construction, and injection molded ends



Patented Trivalve™ technology allows quick, easy inflation. All you need is a standard pump or compressor with a football needle



Tuff End buoys feature line holes that will accept standard shackles and rope 1/2" and 5/8" in diameter

White #	Orange #	Diameter	Circumference	Line Hole	Approx. Buoyancy	Case Qty
1140	61140	9"	28"	1-1/16"	14 lbs.	18
1143	61143	12"	38"	1-1/16"	33 lbs.	14
1146	61146	15"	47"	1-1/2"	65 lbs.	6
1149	61149	18"	57"	1-1/2"	112 lbs.	5
1152	61152	21"	66"	1-1/2"	180 lbs.	3
1155	61155	27"	85"	1-1/2"	375 lbs.	2
1157*	601157*	34"	107"	1-1/2"	790 lbs.	1

* Rotationally molded end for extra strength

TUFF-END™ BUOY COVERS

- 100% heavy duty loop knit acrylic
- UV-resistant, abrasion-resistant / and stain-resistant
- Heavy-duty sewn in draw string and barrel lock ensures a custom fit
- Prevents grime and dirt on fenders

Fits Tuff End Buoy Size	Black #	Navy #
12" x 38"	5200B	5200N
15" x 47"	5201B	5201N
18" x 57"	5202B	5202N
21" x 66"	5203B	5203N
27" x 85"	5204B	5204N







HOT SPOT MARKER BUOYS

- Patented design allows buoys to deploy quickly sending the weight quickly to the bottom
- Sturdy nylon twine durable and resistant to elements
- Constructed with marine-grade vinyl
- Low profile resists wind and current



151



152



153



154



The innovative design of our fishing buoys allows them to quickly deploy to the bottom of a fishing hotspot



Our buoy is built to last with marine-grade vinyl and 75 feet of nylon twine that is resistant to abrasions, acid, mildew and rot

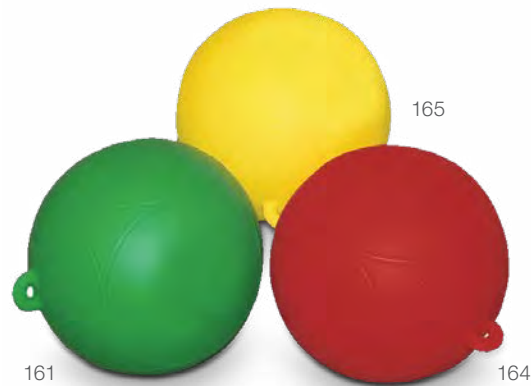


Available in solid colors of lime green, orange and yellow and camo swirl pattern

Green #	Yellow #	Orange #	Camo #	Length	Width	Line Length	Weight	Case Qty
151	152	153	154	4"	4-1/2"	75'	6 oz.	12

WATER SKI MARKER BUOYS

- Made with a durable PVC that withstands the rigors of water ski race courses
- Resilient and lightweight
- Meets American Water Ski Association specifications
- Clearly visible to racers and judges
- Molded 1/2" eye hole
- Easy-to-use valve for proper inflation



Green #	Red #	Yellow #	Diameter	Eye Hole	Approximate Buoyancy
161	164	165	9"	1/2"	13 lbs.



PERSONAL WATERCRAFT BUOYS

- Designed to fit the profiles of MOST personal watercrafts (PWC) in which the underside of the bond flange is open to allow the fender to "hook"
- Not a custom fit fender, will provide differing fits depending on year, make or model
- Fender bottom is shaped to "hook" under the bond flange for quick attachment
- Flex areas on the fender provide a "hinge" action that allows the fender to conform to the shape of the watercraft
- Features an inflation valve for air pressure adjustment
- Includes a suction cup and securing line
- Use only at slow speed for docking, not for use under full speed



Constructed with the tough and resilient marine-grade vinyl, these fenders conform to the shape of your watercraft and are used for slow speed docking only



These boat fenders are specifically designed with a hook on the bottom that has a 'hinge' type action so you can quickly attach to the bond flange



The football-needle inflation valve lets you easily adjust air pressure levels easily with a standard air pump. The fenders come with a suction cup and securing line

White #	Neon Green #	Neon Red #	Orange #	Rocket Red #	Neon Yellow #	Diameter	Approx. Buoyancy
140	141	142	143	144	145	8"	8 lbs.



SUPER DUTY INFLATABLE YACHT FENDERS & COVERS

- Sturdy PVC and tensile strength of 4,500 lbs.
- Spring actuated valve has an easy, quarter-turn lock for quick inflation or deflation
- Our boat fenders are abrasion and tear resistant
- Welded seams have no glue to harden or breakdown
- Covers constructed with a tough heavy-duty knit acrylic that is easy to clean, simply throw them into the washing machine



SD1829G Fender



5104N Cover



2" tubular nylon webbing exceeds 4,500 lbs. tensile strength



Spring actuated valve has an easy, quarter-turn lock for quick inflation or deflation



Welded seams have no glue to harden or breakdown

Diameter	Length	Yacht Size	Case Qty	Black Fender #	Grey Fender #	Navy Fender #	Black Cover #	Navy Cover #
18"	29"	Up to 75'	4	SD1829B	SD1829G	SD1829N	5100B-LEW	5100N-LEW
18"	42"	Up to 75'	4	SD1842B	SD1842G	SD1842N	5101B-LEW	5101N-LEW
18"	58"	Up to 75'	2	SD1858B	SD1858G	SD1858N	5102B-LEW	5102N-LEW
24"	42"	Up to 100'	4	SD2442B	SD2442G	SD2442N	5103B-LEW	5103N-LEW
24"	58"	Up to 100'	2	SD2458B	SD2458G	SD2458N	5104B-LEW	5104N-LEW
36"	48"	Up to 150'	2	SD3648B	SD3648G	SD3648N	5105B-LEW	5105N-LEW



EASYGUIDE FLOAT SYSTEM

NEW

- EasyGuide uses high quality materials to guarantee a long life with minimal repairs
- Once the system is assembled, EasyGuide is designed to let you load your boat intuitively
- Up to 16" of adjustment to accommodate a wide variety of boat and trailer sizes
- Simple design only takes about 15 minutes to set up using common household tools
- Made by boaters for boaters, EasyGuide has considered every aspect of boat-loading
- EasyGuide's adjustability and high-quality materials are safe for your boat and trailer as you drive



Floats stay at the waterline as you drop your trailer into the water



Once the system is assembled, EasyGuide is designed to let you load your boat intuitively



EasyGuide's adjustability and high-quality materials are safe for your boat and trailer as you drive

Part #	Includes
2022106874	Mounting hardware



ANCHORING & MOORING

FEATURED PRODUCTS



Sur-Moor® mooring buoys

Our boat buoys provide protection to secure your vessel whether you are onboard or leaving it unattended for long periods of time.



Legacy series anchors

With excellent holding power-to-weight ratio, our anchors will perform under high loads yet are lightweight for easy handling.



Life rings

Our rings have the United States Coast Guard approval based on testing and inspection guidelines for commercial and recreational use.

PRODUCT INDEX



36
Sur-Moor®
Mooring Buoys



38
Sully Stick™
Winter Stick



39
Sur-Moor
Mast Buoys



40
Sur-Mark
Marker Buoys



41
Regulatory
Buoys



42
Mooring
Whips



45
Legacy
Anchors



46
Life
Rings



48
Life Ring
Accessories



48
Eco Blast™
Air Horn & Pump



49
Rope
Floats



49
Decorative
Ring Buoys

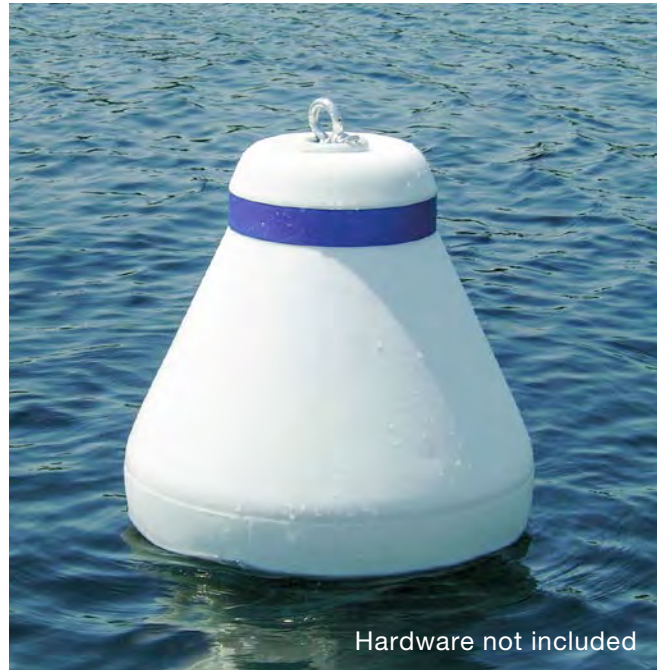


SUR-MOOR® TAPER BUOYS

- Taper shape design places more flotation area at the waterline, creating a higher visibility mooring
- Hard skin polyethylene shell is UV-protected to resist the weathering effects of sunlight
- Closed cell foam-filled to positively displace water
- Tube-through-the-center design allows the anchor chain to pass directly through the buoy, allowing you to attach your boat to the top of the buoy
- Reflective blue stripe for nighttime visibility
- 3-year flotation warranty

Part #	Tube Diameter	Buoyancy Diameter	Buoy Height	Approx. Buoyancy*
46718	2-1/2"	18"	16-3/4"	70 lbs.
46724	2-1/2"	24"	22-11/16"	165 lbs.
46730	3"	30"	30"	410 lbs.

* The number indicated is the maximum flotation the buoy provides while fully submerged. 50% of this value will be the weight the buoy can support at the level of the blue stripe.



Hardware not included



SUR-MOOR® T3C™ BUOYS

- Seamless and tough, one-piece polyethylene shell
- Hard skin polyethylene shell is UV-protected to resist the weathering effects of sunlight
- Sandblasted finish allows the buoy to be painted for easy identification
- Tube-through-the-center design allows the anchor chain to pass directly through the buoy, allowing you to attach your boat to the top of the buoy
- Reflective blue stripe for nighttime visibility
- 3-year flotation warranty

Part #	Tube Diameter	Buoyancy Diameter	Circumference	Approx. Buoyancy*
46370	2"	12"	38"	30 lbs.
46371	2"	15"	47"	60 lbs.
46372	2-1/2"	18"	57"	100 lbs.
46374	2-1/2"	24"	75"	240 lbs.
46375	3"	30"	95"	460 lbs.

* The number indicated is the maximum flotation the buoy provides while fully submerged. 50% of this value will be the weight the buoy can support at the level of the blue stripe.



Hardware not included



SUR-MOOR® SHACKLE BUOY

- Rope nest design has a built-in cup shape at the top of the buoy to allow the anchor shackle to nest below the buoy surface
- Recessed area helps shield the shackle from contacting the boat hull while making a convenient nesting place for the pennant line when the boat departs from the mooring
- Hard skin polyethylene shell is UV-protected to resist the weathering effects of sunlight
- Tube-through-the-center design allows the anchor chain to pass directly through the buoy, allowing you to attach your boat to the top of the buoy
- Reflective blue stripe for nighttime visibility
- 3-year flotation warranty

Part #	Tube Diameter	Buoyancy Diameter	Circumference	Approx. Buoyancy*
46818	2-1/2"	18"	57"	100 lbs.

* The number indicated is the maximum flotation the buoy provides while fully submerged. 50% of this value will be the weight the buoy can support at the level of the blue stripe.



Hardware not included



SUR-MOOR® TRADITIONAL BUOYS

- Unique design keeps your vessel safe while mooring
- Made with a tough, UV-resistant polyethylene shell that will not fade or crack
- EPS one-cell foam-filled core for optimal buoyancy
- Center shaft holds the top and bottom together
- Includes hot-dipped, galvanized-steel ring hardware
- Sandblasted finish allows the buoy to be painted for easy identification
- Reflective blue stripe for nighttime visibility
- 3-year flotation warranty

Part #	Buoyancy Diameter	Circumference	Approximate Buoyancy*
22170	12"	38"	30 lbs.
22171	15"	47"	60 lbs.
22172	18"	57"	100 lbs.
22174	24"	75"	240 lbs.

* The number indicated is the maximum flotation the buoy provides while fully submerged. 50% of this value will be the weight the buoy can support at the level of the blue stripe.



T3C™ MOORING COLLARS

- Protective collar prevents anchor chain from damaging the neck of mooring buoy
- Extends the life of mooring buoys
- Simple installation
- Wide collar fits standard shackles (not included)
- Constructed from hot-dipped galvanized steel that is sturdy and corrosion resistant
- Hardware and shackle not included



Part #	Tube Diameter	Fits T3C Part #
33020	2"	46370 & 46371
33025	2-1/2"	46372 & 46374
33028	3"	46375

SUR-MOOR® TRADITIONAL BUOY REPLACEMENT HARDWARE

- Made from hot-dip galvanized steel
- Rod assemblies include two galvanized washers and nylon core lock nut

Part #	Description	Fits Sur-Moor Traditional Buoy #	Buoyancy Diameter
35647	Swivel only	All	--
33012	Full rod assembly	22170	12"
33015	Full rod assembly	22171	15"
33018	Full rod assembly	22172	18"
33024	Full rod assembly	22174	24"



SULLY STICK™ WINTER STICK

- Used in place of a standard round mooring buoy during the winter months
- Tapered shape helps escape ice entrapment
- Reinforced base eyelet for rope attachment
- Galvanized metal bushing to attach rope and connect to anchor chain
- Requires additional chain weight to stand vertical
- Reflective blue stripe for nighttime visibility



Used in place of a standard round mooring buoy during the winter months



22120

Part #	Diameter	Length	Pick up eye	Anchoring Eye	Internal Ballast	Additional Chain Weight	Water Line Visibility	Approximate Buoyancy*
22120	6" (widest point)	31"	None	1-1/2"	None	6-1/2 lbs.	18"	15 lbs.

* The number indicated is the maximum flotation the buoy provides while fully submerged. 50% of this value will be the weight the buoy can support at the level of the blue stripe.



SUR-MOOR[®] MAST BUOYS

- Perfect as a pick-up buoy and ideal for all diving applications
- Newly designed 5/16" diameter pultruded fiberglass mast with PVC outer layer adds strength, flexibility and prevents fiberglass shards from being exposed
- Float is sealed urethane foam – provides great flotation and years of service
- Corrosion resistant high-density polyethylene-coated cast metal weight will not scratch or mar your boat's finish



Corrosion-resistant, high density polyethylene coated cast metal weight will not scratch or mar your boat's finish



Sealed Urethane foam float provides great flotation and years of service



5/16" diameter pultruded fiberglass mast with PVC outer layer adds strength, flexibility and no more exposed fiberglass shards

Part #	Mast Length	Mast Diameter	Approximate Buoyancy*
22105	48"	5/16"	6 lbs.
22106	74"	5/16"	6 lbs.
22107	96"	5/16"	6 lbs.

* The number indicated is the maximum flotation the buoy provides while fully submerged. 50% of this value will be the weight the buoy can support at the level of the blue stripe.



SUR-MARK MARKER BUOYS

- Internal concrete ballast helps buoy remain stable during inclement weather conditions
- Tough, UV-protected polyethylene stands up to the rugged marine elements
- One-piece seamless construction is filled with closed cell foam to positively displace water
- Galvanized, recessed eye (chain and hardware not included)
- Labels and LED warning lights sold separately



46103



46104



950400



950410

Part #	Style	Color	Height	Column Diameter	Base Diameter	Approximate Buoyancy	Water Line Visibility
46103*	Sur-Mark marker buoy	White	61"	8"	--	40 lbs.	37"
46104*	Sur-Mark marker buoy	White	49"	10"	18"	40 lbs.	39"
950400	Sur-Mark can buoy (port side)	Green	49"	10"	18"	40 lbs.	39"
950410	Sur-Mark can nun (starboard side)	Red	49"	10"	18"	40 lbs.	39"

* Orange marking tape included. Labels sold separately.

SUR-MARK BUOY LABELS

- Self-adhesive vinyl is fade-resistant and brightly colored for high visibility day and night
- Each label is 13" wide x 24" long
- Compatible with either Sur-Mark marker buoys (#46103, #46104)
- Includes two labels per package
- Five-year warranty against weathering or fading

Part #	Style
46171	Shallow area
46173	No boats
46175	Keep out
46180	Slow 5 MPH
46181	Slow no wake
46182	No swimming
46183	Danger
46184	Danger rocks
46185	Swim area
46187	Hazard area
46188	Idle speed
46191	Danger keep out



SOLAR LED WARNING LIGHT

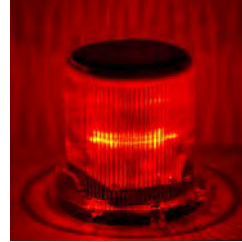
- Constructed with a tough, water-resistant plastic housing (do not submerge)
- Clear cover with solar-power colored LED lights
- Solar powered light charges during the daylight hours and automatically turns on at dusk to alert boaters of hazards
- Easily attaches with included 1/4" diameter hardware to buoys, docks or moorings for nighttime identification
- Designed to fit on top of Sur-Mark™ Buoy #46104 (well-nuts are recommended for buoy mounting)
- Three modes: steady on, slow-fast and fast-flash
- Equipped with three built-in flash modes (15, 30, 60 flashes per minute)
- Replaceable AA NiMH batteries (two per light)
- Check with the local agency governing your waterway before installing



46105 Amber



46106 White



46107 Red



46108 Green

Part #	Light Height	Light Diameter	Base Height	Base Diameter	Mount Hole	Color
46105	4-1/4"	3-3/4"	1/2"	4-3/4"	1/4"	Amber
46106	4-1/4"	3-3/4"	1/2"	4-3/4"	1/4"	White
46107	4-1/4"	3-3/4"	1/2"	4-3/4"	1/4"	Red
46108	4-1/4"	3-3/4"	1/2"	4-3/4"	1/4"	Green



REGULATORY BUOYS

- Rotationally molded high density polyethylene UV stabilized shells
- Uniform wall thickness inhibits cracking over time
- Stronger engineering ensures better longevity under extreme temperature changes
- Meet the compliance regulations of states, municipalities, marinas and private harbors



950010



950020



950290



950280



950300

Part #	Style	Height	Diameter	Approx. Buoyancy
950010	Green can	23-1/2"	13"	40 lbs.
950020	Red nun	23-1/2"	13"	40 lbs.
950290	Green can	48"	24"	235 lbs.
950280	Red nun	48"	24"	235 lbs.
950300	Danger can	48"	24"	235 lbs.



STANDARD MOORING WHIPS

- For fresh or saltwater use and moderate wake areas
- Protects your boat against dockside damage
- Low friction tip and whip cleat to enable easy retrieval
- Solid fiberglass poles use a 60° fixed-angle base for positioning your boat safely away from the dock
- Includes two whips and installation hardware

Part #	Length	Pole Diameter	Boat Size	Boat Weight
MW.080	8'	13/16"	>20'	Up to 2,500 lbs.
MW.120	12'	13/16"	18' - 23'	2,500 to 5,000 lbs.
MW.140	14'	13/16"	24' - 28'	5,000 to 10,000 lbs.
MW.160	16'	13/16"	29' - 33'	10,000 to 20,000 lbs.



PREMIUM MOORING WHIPS

- For saltwater use and larger tidal areas
- Protects your boat against dockside damage
- Low friction tip and whip cleat to enable easy retrieval
- Solid fiberglass poles use a rocker-arm base to return to the vertical position when not in use
- Includes two whips and installation hardware

Part #	Length	Pole Diameter	Boat Size	Boat Weight
PMW.1400	14'	1"	>33'	Up to 20,000 lbs.
PMW.1600	16'	1"	34' - 46'	20,000 to 36,000 lbs.
PMW.1800	18'	1"	47' - 56'	36,000 to 48,000 lbs.





BOATGUARD® MOORING WHIPS

- Designed for boats 25' and under 10,000 lbs
- For fresh water use in low wake areas and non-tidal regions
- Protects your boat against dockside damage
- Each rod incorporates a low friction tip and whip cleat to enable easy retrieval
- Solid fiberglass poles use a 60° fixed-angle base for positioning your boat safely away from the dock
- Includes two whips and installation hardware

Part #	Length	Pole Diameter	Boat Size*	Boat Weight
99079	8'	3/4"	Up to 25'	Up to 2,500 lbs.
99080	12'	3/4"	Up to 25'	2,500 to 5,000 lbs.
99081	14'	3/4"	Up to 25'	5,000 to 10,000 lbs.

* When determining whip, model weight is more important than length. Some docking conditions may be too rugged for this product.



MOORING WHIP REPLACEMENT POLES

- All poles include epoxy
- Rope and cleats sold separately

Part #	Length	Replaces
70056-01	8'	BoatGuard whips
70057-01	12'	BoatGuard whips
70058-01	14'	BoatGuard whips
70067-01	8'	Standard whips
70063-01	12'	Standard whips

Part #	Length	Replaces
70068-01	14'	Standard whips
70069-01	16'	Standard whips
70070-01	14'	Premium whips
70071-01	16'	Premium whips
70072-01	18'	Premium whips

MOORING WHIP HARDWARE

- Complete set mounts a single whip base

Part #	Compatibility
70050-01	BoatGuard whips
70051-01	Standard whips
70052-01	Premium whips

MOORING WHIP BASES

- Includes all necessary replacement components

Part #	Compatibility
70099-01F	BoatGuard base and cap with epoxy
70064-03F	Standard fixed-angle style
70066-03F	Premium rocker-arm style

MOORING WHIP REPLACEMENT PARTS

Part #	Description	Compatibility
70060-01	Cleat with clamp halves screws (for one pole)	All models
70065-01	Roller tip	All models
70074-01	Epoxy packet	All models

LINESAVER RUBBER MOORING SNUBBER

- Made from super elastic isoprene natural rubber
- Prevents mooring line breakage along with compensating for sudden jolting and excess stretching of lines beyond parting strength
- Provides maximum protection against the stress caused by wind, waves and wakes
- Absorbs dock line loads and increases dock line life
- No tools needed to install

Part #	Length	Fits
307	15"	3/8" lines
308	19-1/4"	5/8" lines
309	22-1/8"	3/4" lines

MOORING WHIP COUPLERS

- Joins poles together (does not go into base)

Part #	Compatibility
70059-01*	BoatGuard whips
70082-01*	Standard whips
70081-01*	Premium whips

MOORING WHIP BASE COLLARS & GROMMETS

- For replacing base collars

Part #	Description
70083-01	Collar for standard fixed-angle style
70084-01	Collar for premium rocker-arm style
70073-01	Rubber grommet for premium rocker-arm style





LEGACY SERIES FLUKE ANCHORS

- Made from S355 structural steel that is hot-dipped galvanized with a corrosion-resistant finish
- Will take on the damaging marine elements and work in both fresh and salt water environments
- T-section flukes improve holding power
- High holding power for its comparative weight
- Perform best in mud and sand environments
- Ideal for small to medium boats
- Lightweight for easy handling when setting and pulling up



Our fluke anchors are made from S355 structural steel that is hot-dipped galvanized with a corrosion-resistant finish



Lightweight for easy handling when setting and pulling up



High holding power that performs best in mud and sand environments

Part #	Weight	Boat Size
30100	5 lbs.	16' - 18'
30101	8 lbs.	29' - 33'
30102	12 lbs.	34' - 40'
30103	18 lbs.	41' - 46'
30104	26 lbs.	47' - 50'

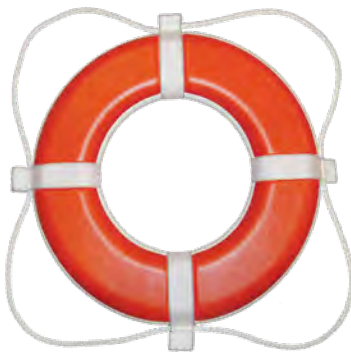


LIFE RINGS

- All life rings meet USCG (U.S. Coast Guard) approval for recreational and commercial use
- Polyethylene grab lines contain UV stabilizers to enhance sunlight resistance
- Molded becket design minimizes ring mildew or deterioration of life ring
- Vinyl skin life rings can be easily painted or numbered with stickers
- Energy-absorbent vinyl skin has more puncture resistance and is less likely to tear or scuff
- Equipped with reflective tape (#571 only)



Vinyl-coated foam



Vinyl-coated foam



Polyethylene shell

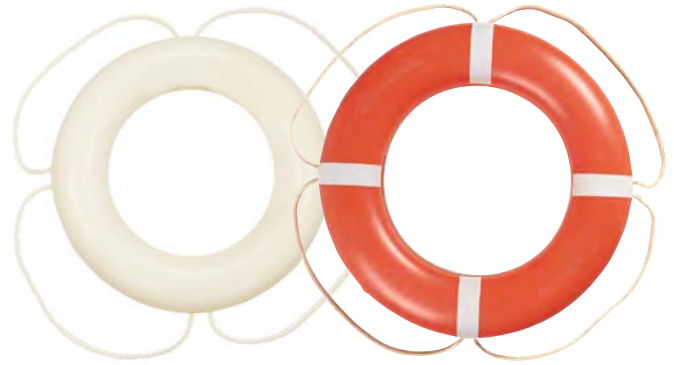
Style	White #	Rope Color	Orange #	Rope Color	Diameter	Minimum Buoyancy
Vinyl-coated	360	White	363	White	20"	16-1/2 lbs.
Vinyl-coated	361	White	364	White	24"	16-1/2 lbs.
Vinyl-coated	380	White	383	White	30"	32 lbs.
Polyethylene shell	567	White	569	Black	24"	16-1/2 lbs.
Polyethylene shell	568	White	570	Black	30"	32 lbs.
Polyethylene shell	--	--	571*	Black	30"	32 lbs.

* Saving of Lives at Sea (SOLAS) approved



AER-O-BUOY™ LIFE RINGS

- Meet Canadian Coast Guard approval for recreational and commercial use
- 9.5 mm polyethylene grab lines contain UV stabilizers to enhance sunlight resistance
- Molded becket design minimizes ring mildew or deterioration of life ring
- Tough outer polyethylene shell is resistant to gasoline, oil, saltwater and pool chemicals
- Closed-cell foam core for optimal buoyancy
- Reflective tape on 30" diameter rings only



57002

570003

Style	White #	Rope Color	Orange #	Rope Color	Diameter	Minimum Buoyancy
Polyethylene shell	57002	White	57001	White	24" (610 mm)	16-1/2 lbs. (7,5 kg)
Polyethylene shell	--	White	570003*	White	30" (762 mm)	32 lbs. (15,5 kg)
Polyethylene shell	--	--	570004**	White	30" (762 mm)	32 lbs. (15,5 kg)

* Saving of Lives at Sea (SOLAS) approved

** SOLAS-approved ring suitable for quick release from a bridge

LIFE RING STATION

- Rugged polyethylene case houses one 24" ring
- Permanently locates and protects life ring from constant weather exposure
- Bright yellow color for high visibility
- Clear vinyl cover quickly detaches to access life ring (#570005)



Part #	Description	Accepts	Includes
570006	Life ring station and cover	Up to 24" life rings	One ring station and #570007 cover
570008	Life ring station with life ring	Up to 24" life rings	Ring station and #570001 ring
570009	Life ring station with life ring	Up to 24" life rings	Ring station and #570002 ring
570007	Vinyl station cover	--	One vinyl cover

LIFE RING LETTER STICKER KIT

- For customizing your life rings
- Waterproof marine-grade 4-ml vinyl
- Fade- and chemical-resistant
- Application template included



600015

Part #	Letter Size	Color	Includes Four Of Each
600015	2"	Black	Letters (A-Z), numbers 0-9 and symbols



Example

LIFE RING HOLDER

- Stainless steel bracket securely holds life rings
- Elastic cord keeps life rings in position in rough conditions
- Easily mounts vertically, on an angle or horizontally
- Bolts on with included mounting hardware



2013



Part #	Mounts To
2013	7/8" - 1" diameter boat rails

LIFE RING J-HOOKS

- Stainless steel brackets will not rust or corrode
- Easy to install on your boat, fence or dock
- Securely cradles life ring, making it easy to retrieve should there be a water emergency
- Includes two brackets
- Mounting hardware not included



Part #	Mounts To
2016	Any flat surface

ECO BLAST™ RECHARGEABLE AIR HORN & MINI AIR-PUMP

- Emits a powerful 120 decibel audible distress signal that can be heard up to one mile away
- Refill valve in airhorn for easy refill, no air canisters needed
- USCG approved
- Operates in all weather conditions
- Environmentally-friendly
- Approximately 20 blasts per charge
- Two interchangeable valves
- Mini air pump generates up to 100 psi



617



616

Part #	Includes
616	Horn only
617	Hand pump only
618	Air horn and hand pump kit

RING BUOY HOLDER WITH HEAVING LINE

- Heaving line ideal for water emergencies
- White floating heaving line with attached rope float
- Anodized aluminum float is corrosion-resistant
- Line is a strong and sturdy UV polypropylene and is resistant to both mildew and UV rays
- Bolt-on installation (hardware not included)
- Fits all size rings



Part #	Float Size	Line Length	Includes
375	5-1/4" L x 3" D	30'	Mounting bracket, float and heaving line
374	5-1/4" L x 3" D	60'	Mounting bracket, float and heaving line

ROPE FLOATS

- Painted to provide UV-protection
- Designate swim areas in pools, lakes, oceans, etc.
- Can also be used for ski ropes, anchor lines, marker buoys and crab traps
- Accommodates rope up to 3/8" diameter
- Approximate buoyancy is 2 lbs.

Part #	Float Size	Color
378	5-1/4" L x 2-3/4" D	Red
377	5-1/4" L x 2-3/4" D	Yellow
376	5-1/4" L x 2-3/4" D	Red / white



378



377



376



DECORATIVE RING BUOY

- Not a life saving device
- Spruce up your pool or spa area
- Made from nonabsorbent closed-cell foam
- Equipped with sewn-in polypropylene grab lines and decorative blue bands

Part #	Diameter	Color
371	17"	White and blue
372	20"	White and blue
373	25"	White and blue





WATER SPORTS EQUIPMENT



FEATURED PRODUCTS



Towable tubes

Tubing just got more exciting with the Taylor Made towables. The soft, seamless heavy-duty nylon shell offers up hours of fun and comfort.



Tow booster

Keep your towable tube tow rope out of the water with the Taylor Made towable tube booster for a safe and enjoyable ride.



Tow ropes

Water spray is part of tubing. Keep spray to a minimum with our Taylor Made tow rope and keep your rope from dragging.

PRODUCT INDEX



52
Towable
Tubes



54
Tow
Booster



55
Tow
Ropes



TOWABLE TUBES

- Choose from eight different styles
- Heavy-gauge PVC bladder
- Sturdy 420 and 840 Denier nylon construction and 28-gauge PVC
- Soft and durable PVC makes for a comfortable ride for hours
- Inflatable topside stabilizer fins (select models)
- Versatile seating options



One-way boston check valve with two ports for easy inflation and quick deflation of inflatable boats



Quick connect for easy attachment and detachment (select models)



Soft webbing handles are great for a secure hold

Part #	Model	# of Riders	# of Handles	Quick Connect	Chariot Seating	Height	Width	Diameter	Color	Weight
2021136877	Wild Wave 2	Up to 2	4	Yes	No	15"	60"	60"	Yellow / blue	11.5 lbs.
2021136878	Wild Wave 3	Up to 3	6	Yes	Yes	16"	70"	70"	Red / yellow	16 lbs.
2021136879	Chaos 3	Up to 3	6	No	No	16-1/2"	73"	76"	Black / red	16.5 lbs.
2021136880	Chaos 4	Up to 4	8	No	No	16-1/2"	73"	87"	Blue / yellow	32 lbs.
2021136881	Nebula	Up to 2	6	Yes	No	28"	70"	70"	Yellow / multi-color	9.4 lbs.
2021136882	Shock Wave	Up to 3	6	Yes	No	21"	72"	85"	Yellow / blue	20.6 lbs.
2021136883	Tidal Wave 2	Up to 2	8	Yes	Yes	21"	68"	69"	Yellow / blue	16.5 lbs.
2021136884	Tidal Wave 3	Up to 3	12	Yes	Yes	21"	73"	78"	Red / purple	35 lbs.



Chaos 3



Chaos 4



Wild Wave 3



Wild Wave 2



Shock Wave



Nebula



Tidal Wave 2

Tidal Wave 3



TOW BOOSTER

- For towables up to four-rider maximum
- Boston valve; one-way check valve with two ports for easy inflation and quick deflation
- Vibrant color combination of red, blue and yellow
- Heavy-gauge PVC bladder
- Enhances towable tube's performance



2021136885



Keeps your rope off the water which prevents your tube from tearing and nosediving



Made with a high density 420D nylon and a 24 gauge PVC



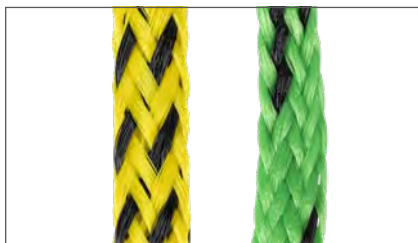
Made for towables for up to four riders, it has adjustable lengths from 50', 55' and 60'

Part #	# of Riders	Height	Width	Diameter	Rope Length	Weight
2021136885	Up to 4	38"	27"	27"	50' / 55' / 60'	5 lbs.



TOW ROPE

- Durable polyethylene construction
- Loops at each end for quick disconnect
- Available for two to four riders
- 1-year warranty



Our sturdy and durable rope tow is constructed from a tough polyethylene that will stand the test of time



2021150644



2021150643

Part #	# of Riders	Break Strength	Rider Weight Capacity	Length	Diameter	Color
2021150644	Up to 2	2,375 lbs.	320 lbs.	60'	10 mm	Yellow
2021150643	Up to 4	4,100 lbs.	680 lbs.	60'	15 mm	Green



DOCK PRODUCTS



FEATURED PRODUCTS



| Stow 'N Go™ dock boxes

Built for docks and large boats, offering high resilience to the marine environment to protect your boating accessories.



| StepSafe™ dock steps

Our single, double and triple tread dock steps provide safety and stability for anyone getting on or off a boat in wet or dry conditions.



| Dock edging

Double-molded profiles give you the extra durability and protection you need dockside with easy installation using screws or nails.

PRODUCT INDEX



58

Fiberglass
Dock Boxes



60

Polyethylene
Dock Boxes



61

DockPro®
Dock Cart



62

StepSafe™
Dock Steps



64

Dock
Floats



65

Dock
Lines



66

Dock
Edging



69

Dock Bumpers
& Corners



71

Perimeter™
Cushions &
Guards



74

Dock
Wheels



75

Dock
Bumpers



77

Dock
Lights



STOW 'N GO™ STANDARD FIBERGLASS DOCK BOXES

- Store marine gear from life jackets to cushions and fishing supplies
- Designed for docks and large boats
- Select models include a convenient built-in seat on the top of the lid
- Low-profile boxes available



83556



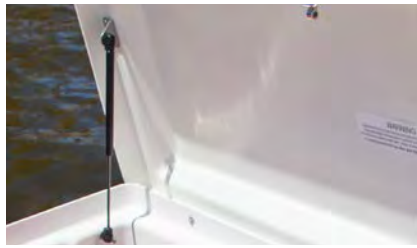
83562



83553



Molded fiberglass design with a smooth UV gel-coat finish inside and out, holds up in all types of marine environments



Two built-in gas lift shocks allow for easy and controlled opening and closing (Low-profile options only have one shock)



Corrosion-resistant heavy duty stainless steel lockable latch and hinges

Part #	Box Style	Height	Width	Depth
83562	Standard	24"	54"	22"
83552	Standard	24"	72"	23"
83551	Standard	24"	85"	22"
83559	Standard	24"	95"	22"
83553	Standard deep	27"	46"	26"
83554	Standard deep	28-3/4"	72-3/4"	28-1/4"

Part #	Box Style	Height	Width	Depth
83550	Low-profile	20"	40"	19"
83557	Low-profile	18"	48"	20"
83556	Top-seat	27"	46"	26"
83555	Top-seat	30"	17"	28-1/4"

PNEUMATIC LID LIFTS FOR DOCK BOXES

- Includes two lift arms
- Fits all models excluding #83560 fisherman's box

Part #	Includes
83610	Two lift arms



83560



STOW 'N GO™ FISHERMEN'S DOCK BOX

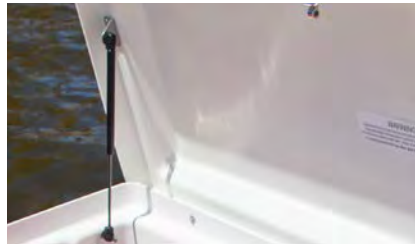
- Built-in rod holders under the lid can store poles up to 7' long
- Store marine gear from life jackets to cushions and fishing supplies
- Molded fiberglass design with a smooth UV gel-coat finish inside and out, holds up in all types of marine environments
- Corrosion-resistant heavy duty stainless steel lockable latch and hinges
- Built-in gas lift shocks allow for easy and controlled opening and closing



83560



Plenty of room to store your fishing poles and accessories under the lid in the built-in rod holders to stay organized



Gas shocks help keep the lid open on rocking docks and in higher winds



Latch and hinges are made from heavy-duty stainless steel

Part #	Material	Height	Width	Depth
83560	Fiberglass	24"	95"	22"



STOW 'N GO™ TRIANGLE DOCK BOXES

- Space saver electrical inset dock box design allows the box to straddle the water over any 90°, such as two adjoining docks
- Electrical inset accommodates power units like Eaton™, Ensign™ and other popular suppliers
- Store marine gear from life jackets to cushions and fishing supplies
- Molded fiberglass design with a smooth UV gel-coat finish inside and out, holds up in all types of marine environments
- Corrosion-resistant heavy duty stainless steel lockable latch and hinges
- Built-in gas lift shocks allow for easy and controlled opening and closing



83561



83563

Part #	Style	Material	Height	Width	Depth
83561	Standard triangle	Fiberglass	27"	54"	33"
83563	Triangle space saver box with electrical inset	Fiberglass	34-1/2"	51-3/8"	26-5/8"



STOW 'N GO™ STANDARD POLYETHYLENE DOCK BOXES

- Secure and dry place to stow boat and pool accessories while you're out on the boat or enjoying some time poolside
- UV-stable, rotomolded polyethylene construction that will stand up to the harsh elements
- 100% maintenance-free, waterproof design for stress-free outside storage
- Stainless steel lockable latch accepts a standard padlock, offering peace of mind
- Double-walled lid adds strength and rigidity



124750



The perfect storage box for your dock, pool or patio



The double-walled lid is secured with a stainless latch, creating a weatherproof design



Latch and hinges are made from heavy-duty stainless steel

White #	Sandstone #	Material	Height	Width	Depth
123650	124650	Polyethylene	26"	43"	21"
123750	124750	Polyethylene	26"	67-3/4"	27-3/4"



STOW 'N GO™ TRIANGLE POLYETHYLENE DOCK BOXES

- Durable, UV-resistant polyethylene construction
- Waterproof design for stress-free outside storage
- 100% maintenance-free
- Stainless steel lockable latch
- Double-walled lid



Part #	Material	Height	Width	Depth
123661	Polyethylene	36"	50"	32"



DOCK PRO® DOCK CART

- Flat-free tire design
- Plastic rim wheels withstand marine elements
- Curved handle for easy handling
- Poly-tub resistant to rotting and rust
- Zinc-coated hardware
- 7 cubic feet of cargo area
- Includes imported hardware



Flat-free tire design gives you the confidence to wheel over almost anything without puncturing the tire

Has a weight capacity of 300 lbs. which means no more multiple trips back and forth to the boat

Part #	Weight Capacity	Wheel Size	Tub Length	Tub Width	Tub Depth
1060	300 lbs.	20"	47"	23"	13"

REPLACEMENT DOCK CART WHEEL

- Flat-free tire design
- Corrosion resistant hardware

Part #	Wheel Size
1060W	20"





STEPSAFE™ DOCK STEPS

- Designed with a molded UV-resistant polyethylene that withstands any damage caused by the UV rays of the sun
- Can be directly mounted to your dock
- Patented, non-slip pad on the top of each dock step for maximum safety and protection
- 1-1/2" wide flange provides a stable base on any flat surface



47300

47200

47100



StepSafe™ non-slip pad is adhered to the top of each dock step for maximum safety and protection



Designed with a molded UV-resistant polyethylene that withstands any damage caused by the UV rays of the sun



Aluminum handrail available for two and three step models (sold separately)

White #	Sandstone #	Tread Count	Flange Width	Weight Capacity	Length	Width	Height
47100	44100	Single tread	1-1/2"	300 lbs.	22"	18"	11-3/4"
47200	44200	Double tread	1-1/2"	300 lbs.	26-3/4"	23-3/4"	17"
47300	44300	Triple tread	1-1/2"	300 lbs.	35"	25"	25-1/2"



STEPSAFE™ DOCK STEP RAILINGS

- Made for Taylor Made StepSafe Dock Steps
- Aluminum construction
- Available for two and three step models (sold separately)

Part #	Tread Model	Width	Height
47201	Double tread	19-1/2"	49"
47301	Triple tread	26"	58"



47201



47301



STEPSAFE™ DOCK STEP NON-SLIP PAD

- Retains its grip wet or dry and is resistant to gas, oil and UV rays
- Also great for the pool area, aluminum ladders or any surface where slipping is a concern
- Comes with a pressure sensitive backing for easy installation
- Trims easily with scissors

Part #	Includes	Depth	Length
11990	12 pads	3-1/2"	14-1/2"





DOCK FLOATS

- Seamless UV-resistant black polyethylene shell filled with EPS foam
- Tough outer shell protects the foam core from saltwater, gasoline and most other chemicals
- 8-year flotation warranty
- Breather valve allows air in and keeps water out
- Thick mounting flanges can be drilled to accommodate attachment fasteners
- Mounting hardware not included



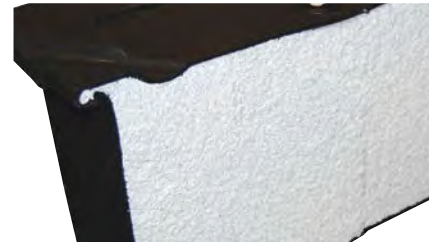
NOTE Not designed to attach to each other.



The shell protects the foam core from salt water, gasoline and other harsh chemicals.



Our dock floats easily attach to stay-in docks and the thick mounting flanges are included. The floating docks are drillable to accommodate attachment fasteners.



Made with a UV-resistant black polyethylene shell of EPS foam, our dock floats are protected against sinking should the shell be compromised.

Part #	Size	Color	Approximate Flotation	Pallet Quantity
46118	24" x 36" x 12" H	Black	450 lbs.	12 / pallet
46119	24" x 36" x 16" H	Black	450 lbs.	10 / pallet
46116	24" x 48" x 12" H	Black	450 lbs.	12 / pallet
46117	24" x 48" x 16" H	Black	600 lbs.	10 / pallet
484812	48" x 48" x 12" H	Black	--	--
484816	48" x 48" x 16" H	Black	--	--



DOUBLE-BRAIDED NYLON DOCK LINE

- Whipped bitter end keeps line from fraying
- Flexible line stays soft and easy to handle
- Spliced eye end – much stronger than a knot
- Resistant to oil, grease, gasoline, mildew and most chemicals
- Will not rot, allowing for wet or dry storage



Tough polypropylene nylon that is resistant to abrasion, oil, grease, gasoline and mildew



Spliced eye end performs much stronger than a knot



Bow and stern lines should be two-thirds the length of your boat. Spring lines should be as long as your boat

Black #	White #	Blue #	Tensile Strength	Diameter	Length	Boat Length
11319	11324	11328	4,450 lbs.	3/8"	15'	Up to 25'
11321	11325	11329	4,450 lbs.	3/8"	25'	Up to 25'
11322	11326	11331	7,850 lbs.	1/2"	15'	Up to 32'
11323	11327	11332	7,850 lbs.	1/2"	25'	Up to 32'



DOCK PRO® HEAVY-DUTY VINYL DOCK EDGING

- Molded twice and molecularly bonded for extra durability and protection
- Tough inner core is surrounded with our soft white vinyl for extra cushion against tough docks
- Each piece installs easily to the edges of docks, piers or floats with screws or nails
- Eco-friendly using 85% recycled material



Small edge gard



Medium edge gard



C-shape edge gard

Coil #	Straight #	Retail #	Style	Depth	Height	Length
46086	--	46057	Small	1-3/8"	2-3/4"	10'
46097	--	--	Small	1-3/8"	2-3/4"	25'
46096	46062	46058	Medium	1-7/8"	3-3/4"	10'
46098	--	--	Medium	1-7/8"	3-3/4"	25'
--	46070	--	C-shape	1-1/4"	3-5/8"	8'
46056	--	46072	C-shape	1-1/4"	3-5/8"	10'
--	--	46053	C-shape	1-1/4"	3-5/8"	16'
46054	--	--	C-shape	1-1/4"	3-5/8"	25'

DOCK PRO® COMMERCIAL VINYL DOCK EDGING

- Heavier wall sections to provide greater protection for their applications
- Molded twice and molecularly bonded for extra durability and protection
- Tough inner core is surrounded with our soft white vinyl for extra cushion against tough docks
- Each piece installs easily to the edges of docks, piers or floats with screws or nails
- Eco-friendly using 85% recycled material



Side gard



P-shape

Straight White #	Straight Black #	Retail Coil #	Style	Depth	Height	Length
46030	46018	46013	Side gard	1-3/8"	3-1/2"	10'
46031	46020	46012	P-shape	2"	3-1/8"	10'
46032	46019	--	P-shape	2-3/8"	3-5/8"	10'

DOCK PRO® PREMIUM VINYL DOCK EDGING

- Heavier wall sections to provide greater protection for their applications
- Molded twice and molecularly bonded for extra durability and protection
- Tough inner core is surrounded with our soft white vinyl for extra cushion against tough docks
- Each piece installs easily to the edges of docks, piers or floats with screws or nails
- Eco-friendly using 85% recycled material



P-shape black



P-shape white



Commercial side gard black



Commercial side gard white

White #	Black #	Configuration	Style	Depth	Height	Length
45995	45993	P-shape	Straight	1.9"	3"	10'
45996	45994	P-shape	Coil	1.9"	3"	10'
45992	45989	Side gard	Straight	1.32"	4.25"	10'
45991	45990	Side gard	Coil	1.32"	4.25"	10'

DOCKGARD® EPDM RUBBER DOCK EDGING

- EPDM rubber is designed to withstand the harshest of environments and is soft enough to cushion your boat from the dock or pier
- At 70 durometer, edging starts softer than vinyl and stays flexible when exposed to UV rays, offering uncompromising longevity

D-profile



Snuggly around the radius of the dock corners

P-profile



Attaches to the top of the dock and wraps to protect the side

Top-side profile



90-degree angle covers the side of the dock and the side as well

HD side profile



Can be used to protect dock sides or for vertically on pilings

Straight #	Retail #	Style	Depth	Height	Length
96000	96017	D-profile	1-1/8"	2-1/4"	6'
96001	96018	D-profile	1-1/2"	3-1/2"	6'
96040	--	P-profile	2-1/2"	3"	6'
96038	--	Top-side profile	2-1/2"	2-1/2"	6'
96037	--	Heavy-duty side profile	1-1/16"	4"	6'

HULL-SAVER™ VINYL COVERED DOCK BUMPERS & CORNERS

- High-density closed cell polyethylene foam, covered in a tough UV-resistant and tear proof vinyl or polyester tri-laminate blend covering
- Corrosion-resistant grommets make attachment easy for any application
- Wraps vertically to protect gunwales and stows away easily



348



345



350

Part #	Style	Configuration	Depth	Height	Length
344	Standard dock	Straight	2-1/2"	4"	24"
345	Standard dock	Corner	2-1/2"	4"	10"
349	Heavy-duty dock	Straight	4"	6"	35"
350	Heavy-duty dock	Corner	4"	6"	12"
347	Marine	Straight	6"	8"	3'
348	Marine	Straight	6"	8"	5'



WAVE AND SHOCK ABSORBING DOCK BUMPER

- 25' Coil will protect approximately 18' of dock space.
- Superior shock-absorbing ability
- Hardware included
- Easy installation



Form a wave shape with this flexible dock edging and nail it down to your dock



Shock-absorbing ability prevents your boat from taking on any damage



46069

Part #	Depth	Height	Length
46069	1/4"	5"	25'

DOCK EDGING NAILS

- Includes ring shank
- Galvanized nails include a washer
- Edging requires 12 nails per strip



Part #	Quantity	Size	Material	Length
96028	6	1/8 lb.	Galvanized	1-1/4"
95999	12	1/2 lb.	Stainless steel	1-1/4"

90-DEGREE VINYL CORNER BUMPERS

- Protects dock corners
- Made with tough PVC
- Available in black and white
- Hardware not included
- Easy installation



White #	Black #	Angle	Width	Length
46015	46016	90°	6"	6"

EPDM DOCK CORNER GUARD

- EPDM rubber
- Superior protection
- Easy to install
- Fits snugly around radius of dock corners

White #	Angle	Height	Length
96008	90°	2-1/4"	6"
96009	90°	3-1/4"	6"



CHAFE GUARDS

- Polyester UV-safe textile cover prevents wear and tear on your mooring and dock lines
- Constructed from our strong, abrasion-resistant rubber
- Will not split or rot in the sun
- Measures 14" long
- Includes two per package

Part #	Fits
96013	1/2" to 5/8" lines
45996	3/4" lines



PREMIUM REMOVABLE CHAFE GUARDS

- Constructed from 1050 denier ballistic nylon for excellent durability
- Protects where fender or dock lines rub against paint or gelcoat surfaces
- Easy install with hook-and-loop closure
- Available in 2', 3' or 4' lengths
- Includes one chafe per package

2' Long #	3' Long #	4' Long #	Line Diameter
BCG78.24	BCG78.36	BCG78.48	3/4" to 7/8"
BCG125.24	BCG125.36	BCG125.48	1-1/4"
BCG150.24	BCG150.36	BCG150.48	1-1/2" to 2"



Use for hanging fenders, holding power cords, etc.

FENDER BOARD GUARDS

- Attach to both ends of a 2" x 4" to give you a padded fender board
- Includes two per package

Part #	Material	Length
96011	EPDM rubber	6"



RUBBER CHAIR TIPS

- Non-marking rubber tips for use deck chairs, boarding ladders and boat hooks



Part #	Fits	Includes
96024	7/8" tubing	Four chair tips
96025	1" tubing	Four chair tips
96026	1-1/8" tubing	Four chair tips

RUBBER SPREADER BOOTS

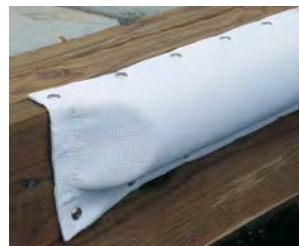
- Reduces chafe to sail material and quickly fits over the stay and spreader end
- Includes two per package



Part #	Spreader Insert Size	Height	Width
960025	1/2" - 1-1/2"	2"	4-5/8"
960026	1" - 2"	2-3/8"	5-3/4"
960027	2" - 3"	2-7/8"	7-1/2"

PERIMETER™ DOCK & POST BUMPERS

- Polyester textile cover and closed cell foam inner cushion, not vinyl, PVC or rubber
- Cleans easily with liquid soap and a brush
- Flexible to mount on curves or around corners
- Will not deteriorate in the sun or mar your boat



Flexible 1" tab system allows standard top-of-dock mounting



Unique fold-over mounting conceals the top row fasteners

Width	3-5/8"	4-1/2"	5-1/2"	8"	5-1/2"	8"
Depth	1-1/4"	1-3/4"	2-1/4"	3-1/4"	1-1/4"	1-3/4"
Length	Small #	Medium #	Large #	Extra Large #	Small Double	Medium Double
3'	DB2.30	DB3.30	DB4.30	DB6.30	DDB2.30	DDB3.30
4'	DB2.40	DB3.40	DB4.40	DB6.40	DDB2.40	DDB3.40
6'	DB2.60	DB3.60	DB4.60	DB6.60	DDB2.60	DDB3.60
9'	DB2.90	DB3.90	DB4.90	DB6.90	DDB2.90	DDB3.90
25'	DB2.CU25	DB3.CU25	DB4.CU25	DB6.CU25	DDB2.CU25	DDB3.CU25
50'	DB2.CU50	DB3.CU50	DB4.CU50	DB6.CU50	DDB2.CU50	DDB3.CU50
10-49'	DB2.CU	DB3.CU	DB4.CU	DB6.CU	DDB2.CU	DDB3.CU

PERIMETER™ CORNER BUMPERS

- Create a finished look to the 90° outside corner of the dock
- Matches perfectly with our dock bumpers
- Flexible 1" tab system allows for standard top-of-dock or unique fold-over mounting to conceal the top row fasteners

Part #	Size	Configuration	Height	Length
CB3.20	Medium	Corner	3"	24"
CB4.20	Large	Corner	4"	24"
CB6.20	Extra large	Corner	6"	24"



PERIMETER™ REMOVABLE POST BUMPERS

- Protect your boat at unprotected docks and pilings
- Stays in place better than fenders
- Great for temporary docking or portable docks
- Bumpers come equipped with polyester webbing (53" long) and a heavy-duty delrin buckle system for a quick, easy and secure installation

Part #	Size	Width	Depth	Length
RPB3.30	Medium	4-1/2"	1-3/4"	3'
RPB4.30	Large	5-1/2"	2-1/4"	3'
RPB6.30	Extra large	8"	3-1/4"	3'



Part #	Size	Width	Depth	Length
RPB3.45	Medium	4-1/2"	1-3/4"	4-1/2'
RPB4.45	Large	5-1/2"	2-1/4"	4-1/2'

PERIMETER™ GUNNEL GUARDS

- Polyester covered
- Wears over 10 times longer than similar products
- Will not rot in the sun or mar your boat
- Perfect for whalers, dinghies and swim steps
- Easy installation



Part #	Style	Tab Size	Diameter	Length
GG1.253Q.50	3/4-round	5/8"	1-1/4"	50'
GG1.253Q.CU	3/4-round	5/8"	1-1/4"	< 50'
GG1.5HR.50	Half-round	5/8"	1-1/2"	50'
GG1.5HR.CU	Half-round	5/8"	1-1/2"	< 50'
GG1.53Q.50	3/4-round	3/4"	1-1/2"	50'
GG1.53Q.CU	3/4-round	3/4"	1-1/2"	< 50'



Half-round



3/4 round

PERIMETER™ CHAFE GUARDS

- Polyester UV-safe textile cover, closed-cell foam inner cushion
- Prevent wear and tear on your mooring and dock lines
- Easily fits through chocks, will not split or rot in the sun

Part #	Line Size	Length	Quantity
CG58.18	3/8" x 5/8"	18"	2
CG58.48	3/8" x 5/8"	4'	2
CG58.100	3/8" x 5/8"	100'	1
CG1.18	3/4" x 1"	18"	2
CG1.48	3/4" x 1"	4'	2
CG1.100	3/4" x 1"	100'	1



Part #	Line Size	Length	Quantity
CG125.18	1-1/4"	18"	2
CG125.48	1-1/4"	4'	2
CG125.BU	1-1/4"	Bulk	1 (custom lengths)

PERIMETER™ REMOVABLE CHAFE GUARDS

- Polyester UV-safe textile cover, closed-cell foam inner cushion
- Ideal for anchor lines, power cords and pre-spliced eyes
- Polyester hook & loop fasteners provide easy and secure installation

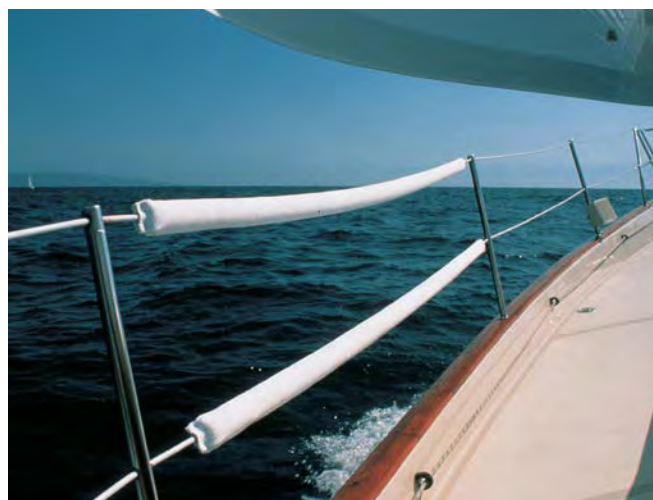
Part #	Line Size	Length
RCG58.14	3/8" x 5/8"	16"
RCG1.14	3/4" x 1"	16"
RCG125.14	1-1/4"	16"



PERIMETER™ LIFELINE CUSHIONS

- Sturdy and comfortable backrest
- Easy to clean polyester-covered foam cushions
- UV-resistant Blue Lifeline uses Sunbrella® fabric
- Includes two per package

Part #	Style	Length
LC150.30	Lifeline cushion	3'
LC150.45	Lifeline cushion	4-1/2'
LC150.60	Lifeline cushion	6'
LC150.60BU	Blue Lifeline cushion	6'





DOCK ROLLER WHEELS

- Designed for roll-in docks and boat lifts
- Molded from UV-stabilized polyethylene plastic to be puncture resistant
- Easily rolls on all terrains
- Pre-drilled drain holes
- Maintenance free



Designed for maximum strength with no maintenance requirements



Puncture-resistant, maintenance free wheel will make putting your roll-in dock or boat lift easy



1224

Part #	Fitment	Diameter	Tread Width	Load Rating
1224	Fits axle sizes 1.60" to 1.90" in diameter	24"	8"	800 lbs.



DOCK POST GUIDE WHEEL

- Use as free floating boat guides or can be mounted to any custom dock bracket which uses 1-1/2" diameter pipe
- Wheels can be stacked together for added protection
- Flexible vinyl to withstand wear and tear from docking
- 14" diameter with 2" inside diameter reinforcement bushing.



Fend your vessel away from the dock and roll along the topsides to prevent scuffing



1214

Part #	Fitment	Diameter
1214	Fits standard 1-1/2" diameter dock pipe	14"



DOCK PRO® INFLATABLE DOCK WHEELS

- Made with marine-grade vinyl
- Available in three sizes and corner or straight mount configurations
- 12" and 18" versions feature a large 2" diameter axle housing for maximum strength
- 3-year warranty



Fend your vessel away from the dock and roll along the topsides to prevent scuffing



Molded-in needle inflation valves for you to adjust the right amount of firmness you need



1078



1079

Straight Mount #	Corner Mount #	Replacement Wheel #	Wheel Size	Boat Size
1079	1078	91078	9"	Up to 20'
1073	1072	91072	12"	20' to 30'
1082	1081	91082	18"	30' to 40'



DOCK POST BUMPER

- For pipe supported type docks
- Slides over 1-1/2" dock pipe
- Protects the boat from contact with the metal dock pipe
- Molded from marine grade vinyl
- Inflation valve to adjust firmness

Part #	Color	Fits Dock Pipes	Diameter	Length
45600	--	Standard 1.5"	7"	17"
45604	Mid-Atlantic Blue	Standard 1.5"	7"	17"
45607	Captain's Navy	Standard 1.5"	7"	17"
45652	Black Onyx	Standard 1.5"	7"	17"
45657	Emerald Green	Standard 1.5"	7"	17"
45660	Aurora Gold	Standard 1.5"	7"	17"





DOCK PRO® HEAVY-DUTY VINYL DOCK BUMPERS

- Made from UV-resistant, marine grade vinyl
- Inflation valves for easy adjustment to desired firmness
- Pre-drilled holes allow for easy mounting
- Curved back panel for vertical mounting on pilings



45510



45500

White #	Style	Configuration	Depth	Height	Length
45500	Heavy-duty	Straight	4"	5"	31-1/2"
45510	Heavy-duty	Corner	4"	5"	13"



DOCK PRO® VINYL DOCK BUMPERS

- Made from UV-resistant, marine grade vinyl
- Inflation valves for easy adjustment to desired firmness
- Pre-drilled holes allow for easy mounting
- Solid flaps protect the top and sides of the dock



46082



46081

White #	Black #	Configuration	Depth	Height	Length
46082	46075	Straight	1-1/2"	6"	18"
46081	46076	Corner	4"	6"	10"

DOCK CUSHIONS

- Outer shell made from high density polyethylene foam for superior protection
- Inner core made with lower density EVA foam for maximum compression
- Pre-drilled for easy installation



Included plugs provide a clean, finished look



High-density foam for superior protection



45984



46011

White #	Style	Configuration	Depth	Height	Length
45984	Cushion	Corner	3-1/4"	5"	18"
46011	Cushion	Straight	3-1/4"	5"	36"

PILING CAPS

- Made with polypropylene for durability
- Angled surface deters birds from nesting
- Withstands the harsh marine elements
- Dresses up any dock or pier
- Can be drilled for a secure fit
- Hardware not included



White #	Black #	Diameter
6200	6205	7"
6201	6206	8"
6202	6207	9"

White #	Black #	Diameter
6203	6208	10"
6204	6209	11"
6210	6211	12"

ALUMINUM DOCK LIGHT

- Bright LEDs, powerful solar panel and changeable AA NiMH batteries provide all night illumination
- Anodized aluminum, IP68 waterproof design for superior weather resistance
- Low-profile is perfect for docks and marinas
- Easy hassle-free mounting with no wires



46310

Part #	Height	Width	Length
46310	7/8"	4-1/8"	4-1/8"



BIMINI TOPS & SHADES



FEATURED PRODUCTS



| Bimini BoaTops®

Customize your boat with three upgraded fabric options, stainless steel or aluminum frame and storage boot to match your boat.



| Pontoon biminis

Available in multiple configurations and sizes to match your pontoon's needs, our bimini tops keep you cool and protected on the water.



| Pontoon bimini kits

Our complete kits for pontoons include the frame, fabric and storage boots in a single SKU, making ordering quick and easy.

PRODUCT INDEX



80
Bimini
BoaTops®



90
Bimini BoaTop®
Tower Tops



92
Convertible
Bimini Tops



93
Bimini BoaTop®
Accessories



96
Pontoon
Biminis



100
Pontoon
Bimini Kits



101
Pontoon
Playpen Shade



102
Pontoon
Gazebo



102
Pontoon Boat
Cover Support



103
Pontoon
Enclosure



103
Easy Up Privacy
Partition



104
Anchorshade III
& SailShade



BIMINI BOATOPS®

Manufactured with superior features, these units are sold with the frame, fabric tops and storage boots packaged separately. Frames are available in bright dip anodized aluminum or stainless steel. Stainless steel frames come with stainless steel fittings, bright dip anodized aluminum frames come with marine grade nylon hardware. Fabric tops are available in Hot Shot™, Ultima™, or Sunbrella® brand fabrics.

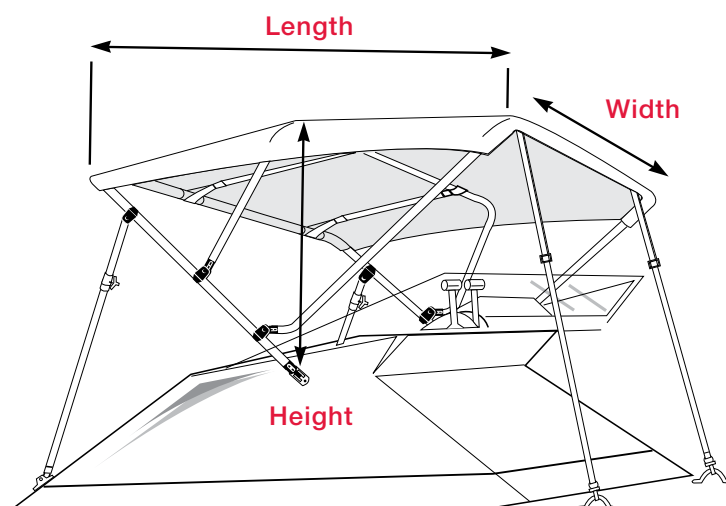
Selecting the right bimini top & frame

The combination of height and length determine how much shade your Bimini BoaTop® will provide. Think about how you use your boat and what you want to shade: For example, if you want to shade yourself and your children in the back, you probably want the longest bimini available in a medium height. If you are out fishing by yourself most of the time, you probably want the higher, shorter Bimini BoaTop®.

Step 1 - Measure and select your frame

1. Determine the length: 4', 6' or 8'.
2. Determine the height: 36" 42" or 54".
This is the maximum standing height under the frame, measured from the mounting location points.
3. Determine the width: 60" to 103".
Measure from the mounting point on one side of the boat, to the same location on the opposite side of the boat.

Widths of the Bimini BoaTops® are specified in increments of 6". Choose the width that best matches your mounting point measurement.



Frames are designed as 'knock-down' frames, meaning they snap together via double-sided snap buttons.

Bow count refers to the number of bows that make up the frame. Three-bow models are compatible with 4' and 6' long tops and four-bow with 8' long tops. All sizes ship unassembled, via UPS or FedEx.

Step 2 - Select your fabric

From the economical Hot Shot™ solution-dyed fabric to the premier durability and style of Sunbrella®, the choice is yours when it comes to your bimini. All of our fabric choices are treated for water repellency and mildew resistance to withstand the harsh marine environment.

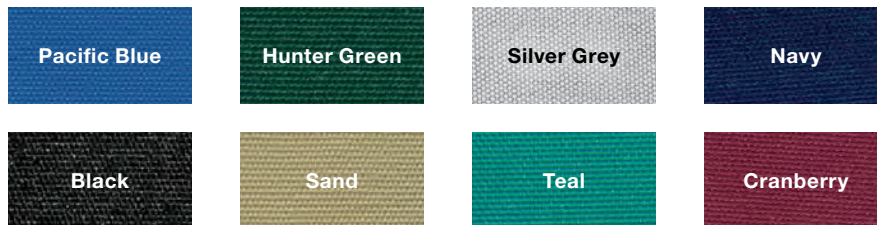
Hot Shot™ fabric

- Weight: 6.25 oz. per sq. yard
- Acrylic-coated polyester



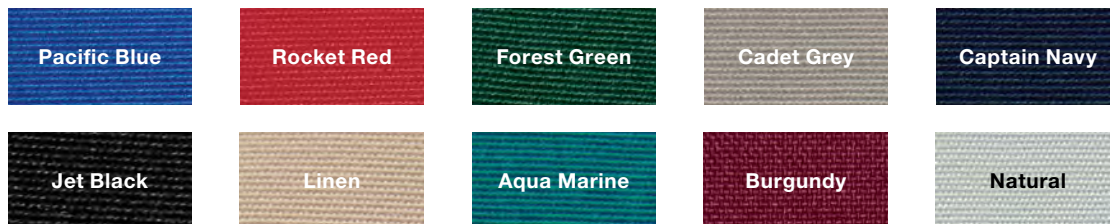
Ultima™ fabric

- Weight: 7 oz. per sq. yard
- Urethane-coated polyester



Sunbrella® fabric

- Weight: 9 oz. per sq. yard
- Solution-dyed acrylic performance



Step 3 - Select your storage boot

Zippered storage boots provide a convenient way to keep your top clean and neat while being stored. Boot sizes are determined by frame width. Boots are available in the same fabrics as the tops above. All boots feature full-length separating zippers for easy storage and removal.

All Bimini BoaTops® ship within five business days



BIMINI BOATOP® FRAMES & FABRICS

36"

To order your Bimini BoaTop® frame in stainless steel, simply add 'SS' to the end of the 'Frame #' from the table below.

For example: #36467SS is a stainless steel bimini top, 36" high with a length of 4' and a width of 60" - 66".

36" Tall Frames & Fabric						
Width	60" - 66"	67" - 72"	73" - 78"	79" - 84"	85" - 90"	91" - 96"
Frame #	36467	36473	36479	36485	36491	36497
Hot Shot Fabric						
Pacific Blue	367000B	367010B	367020B	367030B	367040B	367050B
Hunter Green	367000F	367010F	367020F	367030F	367040F	367050F
Charcoal Grey	367000G	367010G	367020G	367030G	367040G	367050G
Navy	367000N	367010N	367020N	367030N	367040N	367050N
Black	367000R	367010R	367020R	367030R	367040R	367050R
Sand	367000S	367010S	367020S	367030S	367040S	367050S
Teal	367000T	367010T	367020T	367030T	367040T	367050T
Cranberry	367000Y	367010Y	367020Y	367030Y	367040Y	367050Y
White	367000W	367010W	367020W	367030W	367040W	367050W
Ultima Fabric						
Pacific Blue	367000UB	367010UB	367020UB	367030UB	367040UB	367050UB
Hunter Green	367000UF	367010UF	367020UF	367030UF	367040UF	367050UF
Silver Grey	367000UG	367010UG	367020UG	367030UG	367040UG	367050UG
Navy	367000UN	367010UN	367020UN	367030UN	367040UN	367050UN
Black	367000UK	367010UK	367020UK	367030UK	367040UK	367050UK
Sand	367000US	367010US	367020US	367030US	367040US	367050US
Teal	367000UT	367010UT	367020UT	367030UT	367040UT	367050UT
Cranberry	367000UR	367010UR	367020UR	367030UR	367040UR	367050UR
Sunbrella Fabric						
Pacific Blue	367000AB	367010AB	367020AB	367030AB	367040AB	367050AB
Rocket Red	367000AE	367010AE	367020AE	367030AE	367040AE	367050AE
Forest Green	367000AF	367010AF	367020AF	367030AF	367040AF	367050AF
Cadet Grey	367000AG	367010AG	367020AG	367030AG	367040AG	367050AG
Captain Navy	367000AN	367010AN	367020AN	367030AN	367040AN	367050AN
Jet Black	367000AR	367010AR	367020AR	367030AR	367040AR	367050AR
Linen	367000AS	367010AS	367020AS	367030AS	367040AS	367050AS
Aqua Marine	367000AT	367010AT	367020AT	367030AT	367040AT	367050AT
Burgundy	367000AY	367010AY	367020AY	367030AY	367040AY	367050AY
Natural	367000AW	367010AW	367020AW	367030AW	367040AW	367050AW



6
FOOT

BIMINI BOATOP® FRAMES & FABRICS

36"

To order your Bimini BoaTop® frame in stainless steel, simply add 'SS' to the end of the 'Frame #' from the table below.

For example: #36667SS is a stainless steel bimini top, 36" high with a length of 6' and a width of 60" - 66".

36" Tall Frames & Fabric

Width	60" - 66"	67" - 72"	73" - 78"	79" - 84"	85" - 90"	91" - 96"
Frame #	36667	36673	36679	36685	36691	36697
Hot Shot Fabric						
Pacific Blue	367120B	367130B	367140B	367150B	367160B	367170B
Hunter Green	367120F	367130F	367140F	367150F	367160F	367170F
Charcoal Grey	367120G	367130G	367140G	367150G	367160G	367170G
Navy	367120N	367130N	367140N	367150N	367160N	367170N
Black	367120R	367130R	367140R	367150R	367160R	367170R
Sand	367120S	367130S	367140S	367150S	367160S	367170S
Teal	367120T	367130T	367140T	367150T	367160T	367170T
Cranberry	367120Y	367130Y	367140Y	367150Y	367160Y	367170Y
White	367120W	367130W	367140W	367150W	367160W	367170W
Ultima Fabric						
Pacific Blue	36712UB	36713UB	36714UB	36715UB	36716UB	36717UB
Hunter Green	36712UF	36713UF	36714UF	36715UF	36716UF	36717UF
Silver Grey	36712UG	36713UG	36714UG	36715UG	36716UG	36717UG
Navy	36712UN	36713UN	36714UN	36715UN	36716UN	36717UN
Black	36712UK	36713UK	36714UK	36715UK	36716UK	36717UK
Sand	36712US	36713US	36714US	36715US	36716US	36717US
Teal	36712UT	36713UT	36714UT	36715UT	36716UT	36717UT
Cranberry	36712UR	36713UR	36714UR	36715UR	36716UR	36717UR
Sunbrella Fabric						
Pacific Blue	36712AB	36713AB	36714AB	36715AB	36716AB	36717AB
Rocket Red	36712AE	36713AE	36714AE	36715AE	36716AE	36717AE
Forest Green	367012AF	36713AF	36714AF	36715AF	36716AF	36717AF
Cadet Grey	36712AG	36713AG	36714AG	36715AG	36716AG	36717AG
Captain Navy	36712AN	36713AN	36714AN	36715AN	36716AN	36717AN
Jet Black	36712AR	36713AR	36714AR	36715AR	36716AR	36717AR
Linen	36712AS	36713AS	36714AS	36715AS	36716AS	36717AS
Aqua Marine	36712AT	36713AT	36714AT	36715AT	36716AT	36717AT
Burgundy	36712AY	36713AY	36714AY	36715AY	36716AY	36717AY
Natural	36712AW	36713AW	36714AW	36715AW	36716AW	36717AW



BIMINI BOATOP® FRAMES & FABRICS

42"

To order your Bimini BoaTop® frame in stainless steel, simply add 'SS' to the end of the 'Frame #' from the table below.

For example: #42667SS is a stainless steel bimini top, 42" high with a length of 6' and a width of 60" - 66".

42" Tall Frames & Fabric							
Width	60" - 66"	67" - 72"	73" - 78"	79" - 84"	85" - 90"	91" - 96"	97" - 103"
Frame #	42667	42673	42679	42685	42691	42697	42698
Hot Shot Fabric							
Pacific Blue	427000B	427010B	427020B	427030B	427040B	427050B	427060B
Hunter Green	427000F	427010F	427020F	427030F	427040F	427050F	427060F
Charcoal Grey	427000G	427010G	427020G	427030G	427040G	427050G	427060G
Navy	427000N	427010N	427020N	427030N	427040N	427050N	427060N
Black	427000R	427010R	427020R	427030R	427040R	427050R	427060R
Sand	427000S	427010S	427020S	427030S	427040S	427050S	427060S
Teal	427000T	427010T	427020T	427030T	427040T	427050T	427060T
Cranberry	427000Y	427010Y	427020Y	427030Y	427040Y	427050Y	427060Y
White	427000W	427010W	427020W	427030W	427040W	427050W	427060W
Ultima Fabric							
Pacific Blue	427000UB	427010UB	427020UB	427030UB	427040UB	427050UB	427060UB
Hunter Green	427000UF	427010UF	427020UF	427030UF	427040UF	427050UF	427060UF
Silver Grey	427000UG	427010UG	427020UG	427030UG	427040UG	427050UG	427060UG
Navy	427000UN	427010UN	427020UN	427030UN	427040UN	427050UN	427060UN
Black	427000UK	427010UK	427020UK	427030UK	427040UK	427050UK	427060UK
Sand	427000US	427010US	427020US	427030US	427040US	427050US	427060US
Teal	427000UT	427010UT	427020UT	427030UT	427040UT	427050UT	427060UT
Cranberry	427000UR	427010UR	427020UR	427030UR	427040UR	427050UR	427060UR
Sunbrella Fabric							
Pacific Blue	427000AB	427010AB	427020AB	427030AB	427040AB	427050AB	427060AB
Rocket Red	427000AE	427010AE	427020AE	427030AE	427040AE	427050AE	427060AE
Forest Green	427000AF	427010AF	427020AF	427030AF	427040AF	427050AF	427060AF
Cadet Grey	427000AG	427010AG	427020AG	427030AG	427040AG	427050AG	427060AG
Captain Navy	427000AN	427010AN	427020AN	427030AN	427040AN	427050AN	427060AN
Jet Black	427000AR	427010AR	427020AR	427030AR	427040AR	427050AR	427060AR
Linen	427000AS	427010AS	427020AS	427030AS	427040AS	427050AS	427060AS
Aqua Marine	427000AT	427010AT	427020AT	427030AT	427040AT	427050AT	427060AT
Burgundy	427000AY	427010AY	427020AY	427030AY	427040AY	427050AY	427060AY
Natural	427000AW	427010AW	427020AW	427030AW	427040AW	427050AW	427060AW



6
FOOT

BIMINI BOATOP® FRAMES & FABRICS

54"

To order your Bimini BoaTop® frame in stainless steel, simply add 'SS' to the end of the 'Frame #' from the table below.

For example: #54667SS is a stainless steel bimini top, 54" high with a length of 6' and a width of 60" - 66".

54" Tall Frames & Fabric							
Width	60" - 66"	67" - 72"	73" - 78"	79" - 84"	85" - 90"	91" - 96"	97" - 103"
Frame #	54667	54673	54679	54685	54691	54697	54698
Hot Shot Fabric							
Pacific Blue	54700B	54701B	54702B	54703B	54704B	54705B	54706B
Hunter Green	54700F	54701F	54702F	54703F	54704F	54705F	54706F
Charcoal Grey	54700G	54701G	54702G	54703G	54704G	54705G	54706G
Navy	54700N	54701N	54702N	54703N	54704N	54705N	54706N
Black	54700R	54701R	54702R	54703R	54704R	54705R	54706R
Sand	54700S	54701S	54702S	54703S	54704S	54705S	54706S
Teal	54700T	54701T	54702T	54703T	54704T	54705T	54706T
Cranberry	54700Y	54701Y	54702Y	54703Y	54704Y	54705Y	54706Y
White	54700W	54701W	54702W	54703W	54704W	54705W	54706W
Ultima Fabric							
Pacific Blue	54700UB	54701UB	54702UB	54703UB	54704UB	54705UB	54706UB
Hunter Green	54700UF	54701UF	54702UF	54703UF	54704UF	54705UF	54706UF
Silver Grey	54700UG	54701UG	54702UG	54703UG	54704UG	54705UG	54706UG
Navy	54700UN	54701UN	54702UN	54703UN	54704UN	54705UN	54706UN
Black	54700UK	54701UK	54702UK	54703UK	54704UK	54705UK	54706UK
Sand	54700US	54701US	54702US	54703US	54704US	54705US	54706US
Teal	54700UT	54701UT	54702UT	54703UT	54704UT	54705UT	54706UT
Cranberry	54700UR	54701UR	54702UR	54703UR	54704UR	54705UR	54706UR
Sunbrella Fabric							
Pacific Blue	54700AB	54701AB	54702AB	54703AB	54704AB	54705AB	54706AB
Rocket Red	54700AE	54701AE	54702AE	54703AE	54704AE	54705AE	54706AE
Forest Green	54700AF	54701AF	54702AF	54703AF	54704AF	54705AF	54706AF
Cadet Grey	54700AG	54701AG	54702AG	54703AG	54704AG	54705AG	54706AG
Captain Navy	54700AN	54701AN	54702AN	54703AN	54704AN	54705AN	54706AN
Jet Black	54700AR	54701AR	54702AR	54703AR	54704AR	54705AR	54706AR
Linen	54700AS	54701AS	54702AS	54703AS	54704AS	54705AS	54706AS
Aqua Marine	54700AT	54701AT	54702AT	54703AT	54704AT	54705AT	54706AT
Burgundy	54700AY	54701AY	54702AY	54703AY	54704AY	54705AY	54706AY
Natural	54700AW	54701AW	54702AW	54703AW	54704AW	54705AW	54706AW



8
FOOT

BIMINI BOATOP® FRAMES & FABRICS

42"

To order your Bimini BoaTop® frame in stainless steel, simply add 'SS' to the end of the 'Frame #' from the table below.

For example: #42867SS is a stainless steel bimini top, 42" high with a length of 8' and a width of 60" - 66".

42" Tall Frames & Fabric							
Width	60" - 66"	67" - 72"	73" - 78"	79" - 84"	85" - 90"	91" - 96"	97" - 103"
Frame #	42867	42873	42879	42885	42891	42897	42900
Hot Shot Fabric							
Pacific Blue	427140B	427150B	427160B	427170B	427180B	427190B	427200B
Hunter Green	427140F	427150F	427160F	427170F	427180F	427190F	427200F
Charcoal Grey	427140G	427150G	427160G	427170G	427180G	427190G	427200G
Navy	427140N	427150N	427160N	427170N	427180N	427190N	427200N
Black	427140R	427150R	427160R	427170R	427180R	427190R	427200R
Sand	427140S	427150S	427160S	427170S	427180S	427190S	427200S
Teal	427140T	427150T	427160T	427170T	427180T	427190T	427200T
Cranberry	427140Y	427150Y	427160Y	427170Y	427180Y	427190Y	427200Y
White	427140W	427150W	427160W	427170W	427180W	427190W	427200W
Ultima Fabric							
Pacific Blue	42714UB	42715UB	42716UB	42717UB	42718UB	42719UB	42720UB
Hunter Green	42714UF	42715UF	42716UF	42717UF	42718UF	42719UF	42720UF
Silver Grey	42714UG	42715UG	42716UG	42717UG	42718UG	42719UG	42720UG
Navy	42714UN	42715UN	42716UN	42717UN	42718UN	42719UN	42720UN
Black	42714UK	42715UK	42716UK	42717UK	42718UK	42719UK	42720UK
Sand	42714US	42715US	42716US	42717US	42718US	42719US	42720US
Teal	42714UT	42715UT	42716UT	42717UT	42718UT	42719UT	42720UT
Cranberry	42714UR	42715UR	42716UR	42717UR	42718UR	42719UR	42720UR
Sunbrella Fabric							
Pacific Blue	42714AB	42715AB	42716AB	42717AB	42718AB	42719AB	42720AB
Rocket Red	42714AE	42715AE	42716AE	42717AE	42718AE	42719AE	42720AE
Forest Green	42714AF	42715AF	42716AF	42717AF	42718AF	42719AF	42720AF
Cadet Grey	42714AG	42715AG	42716AG	42717AG	42718AG	42719AG	42720AG
Captain Navy	42714AN	42715AN	42716AN	42717AN	42718AN	42719AN	42720AN
Jet Black	42714AR	42715AR	42716AR	42717AR	42718AR	42719AR	42720AR
Linen	42714AS	42715AS	42716AS	42717AS	42718AS	42719AS	42720AS
Aqua Marine	42714AT	42715AT	42716AT	42717AT	42718AT	42719AT	42720AT
Burgundy	42714AY	42715AY	42716AY	42717AY	42718AY	42719AY	42720AY
Natural	42714AW	42715AW	42716AW	42717AW	42718AW	42719AW	42720AW



8
FOOT

BIMINI BOATOP® FRAMES & FABRICS

54"

To order your Bimini BoaTop® frame in stainless steel, simply add 'SS' to the end of the 'Frame #' from the table below.

For example: #54867SS is a stainless steel bimini top, 54" high with a length of 8' and a width of 60" - 66".

54" Tall Frames & Fabric							
Width	60" - 66"	67" - 72"	73" - 78"	79" - 84"	85" - 90"	91" - 96"	97" - 103"
Frame #	54867	54873	54879	54885	54891	54897	54900
Hot Shot Fabric							
Pacific Blue	547140B	547150B	547160B	547170B	547180B	547190B	547200B
Hunter Green	547140F	547150F	547160F	547170F	547180F	547190F	547200F
Charcoal Grey	547140G	547150G	547160G	547170G	547180G	547190G	547200G
Navy	547140N	547150N	547160N	547170N	547180N	547190N	547200N
Black	547140R	547150R	547160R	547170R	547180R	547190R	547200R
Sand	547140S	547150S	547160S	547170S	547180S	547190S	547200S
Teal	547140T	547150T	547160T	547170T	547180T	547190T	547200T
Cranberry	547140Y	547150Y	547160Y	547170Y	547180Y	547190Y	547200Y
White	547140W	547150W	547160W	547170W	547180W	547190W	547200W
Ultima Fabric							
Pacific Blue	54714UB	54715UB	54716UB	54717UB	54718UB	54719UB	54720UB
Hunter Green	54714UF	54715UF	54716UF	54717UF	54718UF	54719UF	54720UF
Silver Grey	54714UG	54715UG	54716UG	54717UG	54718UG	54719UG	54720UG
Navy	54714UN	54715UN	54716UN	54717UN	54718UN	54719UN	54720UN
Black	54714UK	54715UK	54716UK	54717UK	54718UK	54719UK	54720UK
Sand	54714US	54715US	54716US	54717US	54718US	54719US	54720US
Teal	54714UT	54715UT	54716UT	54717UT	54718UT	54719UT	54720UT
Cranberry	54714UR	54715UR	54716UR	54717UR	54718UR	54719UR	54720UR
Sunbrella Fabric							
Pacific Blue	54714AB	54715AB	54716AB	54717AB	54718AB	54719AB	54720AB
Rocket Red	54714AE	54715AE	54716AE	54717AE	54718AE	54719AE	54720AE
Forest Green	54714AF	54715AF	54716AF	54717AF	54718AF	54719AF	54720AF
Cadet Grey	54714AG	54715AG	54716AG	54717AG	54718AG	54719AG	54720AG
Captain Navy	54714AN	54715AN	54716AN	54717AN	54718AN	54719AN	54720AN
Jet Black	54714AR	54715AR	54716AR	54717AR	54718AR	54719AR	54720AR
Linen	54714AS	54715AS	54716AS	54717AS	54718AS	54719AS	54720AS
Aqua Marine	54714AT	54715AT	54716AT	54717AT	54718AT	54719AT	54720AT
Burgundy	54714AY	54715AY	54716AY	54717AY	54718AY	54719AY	54720AY
Natural	54714AW	54715AW	54716AW	54717AW	54718AW	54719AW	54720AW



BIMINI BOATOP® STORAGE BOOTS

Zippered storage boots provide a convenient way to keep your top clean and neat while being stored. Boot size is determined by frame width. All boots feature full-length separating zippers for easy storage and removal.

Storage Boots							
Width	60" - 66"	67" - 72"	73" - 78"	79" - 84"	85" - 90"	91" - 96"	97" - 103"
Hot Shot Fabric							
Pacific Blue	631640B	631700B	631760B	631820B	631880B	631940B	631990B
Hunter Green	631640F	631700F	631760F	631820F	631880F	631940F	631990F
Charcoal Grey	631640G	631700G	631760G	631820G	631880G	631940G	631990G
Navy	631640N	631700N	631760N	631820N	631880N	631940N	631990N
Black	631640R	631700R	631760R	631820R	631880R	631940R	631990R
Sand	631640S	631700S	631760S	631820S	631880S	631940S	631990S
Teal	631640T	631700T	631760T	631820T	631880T	631940T	631990T
Cranberry	631640Y	631700Y	631760Y	631820Y	631880Y	631940Y	631990Y
White	631640W	631700W	631760W	631820W	631880W	631940W	631990W
Ultima Fabric							
Pacific Blue	63164UB	63170UB	63176UB	63182UB	63188UB	63194UB	63199UB
Hunter Green	63164UF	63170UF	63176UF	63182UF	63188UF	63194UF	63199UF
Silver Grey	63164UG	63170UG	63176UG	63182UG	63188UG	63194UG	63199UG
Navy	63164UN	63170UN	63176UN	63182UN	63188UN	63194UN	63199UN
Black	63164UK	63170UK	63176UK	63182UK	63188UK	63194UK	63199UK
Sand	63164US	63170US	63176US	63182US	63188US	63194US	63199US
Teal	63164UT	63170UT	63176UT	63182UT	63188UT	63194UT	63199UT
Cranberry	63164UR	63170UR	63176UR	63182UR	63188UR	63194UR	63199UR
Sunbrella Fabric							
Pacific Blue	63164AB	63170AB	63176AB	63182AB	63188AB	63194AB	63199AB
Rocket Red	63164AE	63170AE	63176AE	63182AE	63188AE	63194AE	63199AE
Forest Green	63164AF	63170AF	63176AF	63182AF	63188AF	63194AF	63199AF
Cadet Grey	63164AG	63170AG	63176AG	63182AG	63188AG	63194AG	63199AG
Captain Navy	63164AN	63170AN	63176AN	63182AN	63188AN	63194AN	63199AN
Jet Black	63164AR	63170AR	63176AR	63182AR	63188AR	63194AR	63199AR
Linen	63164AS	63170AS	63176AS	63182AS	63188AS	63194AS	63199AS
Aqua Marine	63164AT	63170AT	63176AT	63182AT	63188AT	63194AT	63199AT
Burgundy	63164AY	63170AY	63176AY	63182AY	63188AY	63194AY	63199AY
Natural	63164AW	63170AW	63176AW	63182AW	63188AW	63194AW	63199AW



BIMINI BOATOP® TOWER TOPS

- Designed to mount within most wakeboard / ski towers
- Provide shade for driver and spotter
- All tops are 48" long and measure approximately 16" up from the mounting point
- Available in three widths to fit most towers
- Bright-dip, anodized aluminum frame tubing uses high quality marine grade hardware
- Features urethane-coated polyester Ultima™ fabric for the best performance in strength, UV stability and longevity
- Includes boot in matching color



Designed to mount within most wakeboard / ski towers to provide shade for driver and spotter



Features Ultima™ fabric for the best performance in strength, UV stability and longevity

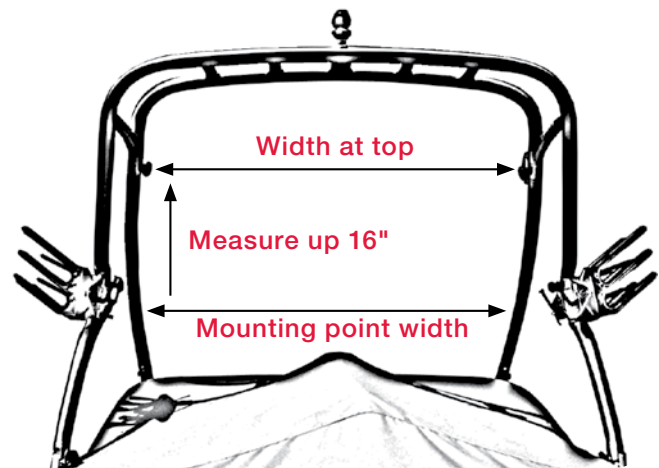


Bright-dip, anodized aluminum frame tubing uses high quality marine grade hardware

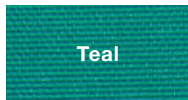
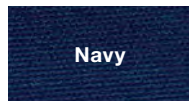
Measuring your top size

The top will mount directly onto the tower frame at the center point. Pick the best position on the tower that will provide the best shade for the driver's seat. The tops are low profile at approximately 16" high at the maximum. Be sure that the chosen position will keep the top high enough to clear the driver and spotter when seated.

1. Measure across the tower at the mounting point that has been selected.
2. Choose the dimension from the table. Take note the bimini width that matches your measured tower width.
3. Check the width at the top and be sure the angle of your tower will accommodate this dimension.



Width At Mount	Width At Top
68" - 71"	60"
75" - 78"	67"
81" - 84"	73"



Width	Part #	Color
68" - 71"	62123	Pacific Blue
	62124	Teal
	62125	Cranberry
	62127	Navy
	62128	Black
	62129	Hunter Green
	62130	Grey

Width	Part #	Color
75" - 78"	62174	Pacific Blue
	62175	Teal
	62177	Cranberry
	62179	Navy
	62180	Black
	62181	Hunter Green
	62183	Grey

Width	Part #	Color
81" - 84"	62184	Pacific Blue
	62185	Teal
	62186	Cranberry
	62189	Navy
	62190	Black
	62191	Hunter Green
	62192	Grey

CONVERTIBLE Bimini TOPS

- Keeps you protected from the elements above and beyond the windshield
- Designed for deep 'V' aluminum fishing boats with walk-through windshields
- Tough, water-repellent polyester fabric and heavy-gauge clear PVC zippered walk-through section for great visibility
- Elastic panels along base section allow tops to universally snap to the windshield
- Includes 3/4" top-lock stainless steel clips / male snaps
- 7/8" diameter, bright-dipped anodized aluminum frame with nylon fittings and stainless hardware



Blue #	Grey #	Bows	Length	Width	Above Mounting Points
62073	62074	Two	48"	67" - 72"	49"
62075	62076	Three	58"	79" - 84"	47"

BIMINI SUPPORT POLES

- Keeps water from pooling in your boat with adjustable pole
- Male snap end fits into female snap on support pad
- Rubber endcap grips the boat floor for secure placement
- Aluminum pole is rustproof, corrosion-resistant
- Durable and withstands elements in both saltwater and freshwater
- Easy extension to fit your application
- CAUTION: These poles should never be used to replace the front support straps. Only the rear straps should be replaced with adjustable support poles. Do not exceed 35 miles per hour while using adjustable bimini top support poles.



11995



11989

Part #	Style	Includes	Dimensions
11995	Adjustable	Two poles	28" to 48"
11989	Fixed	Two poles	40"

BIMINI BOATOP® ACCESSORIES



11752

Ball and socket deck mount

- Designed for horizontal mount applications
- Derlin insert provides smooth, rattle-free operation
- Made from marine grade 316 stainless steel
- External eye end sold separately (#11751)

Part #	Lanyard Size
11752	7/8" - 1"



11751

External eye end with ball mount

- Designed for horizontal mount applications
- Made from marine grade 316 stainless steel
- Flat-base ball deck hinge sold separately (#11752)

Part #	Accepts
11751	7/8" diameter round support poles



11210



11711



11731

Jaw slides

- Secure to frame bow with included bolt
- Move slide up and down pole to adjust
- Includes two jaw slides per package

Part #	Size	Color	Material
11210	7/8"	Chromed	Zamak
1209	3/4"	Chromed	Zamak
11711	7/8"	Black	Nylon
11709	3/4"	Black	Nylon
11731	7/8"	Polished	Stainless steel
11732	1"	Polished	Stainless steel



11749



11750

Rail mount hinges

- Hinge provides attachment point to secure bimini top support pole
- Can be used to mount fender racks or other boating accessories
- No rail disassembly required
- Includes one hinge with hardware

Part #	Size	Color
11749	7/8"	Stainless steel
11750	1"	Stainless steel

BIMINI BOATOP® ACCESSORIES



Adjustable tie-down straps

- Stainless steel ring and snap
- Includes two straps per package

Part #	Length	Width	Color	Material
11993	6'	1"	Black	Nylon
2000	6'	1"	White	Nylon



Aluminum slide assemblies

- Fold your top behind the rear seat
- Includes two slides per package

Part #	Length
993018	18"
993030	30"
993045	45"



Nylon slides

- Includes two slides per package

Part #	Track Slot Opening
5854	.85"



Slide assembly end caps

- Includes two caps per package

Part #	Size	Color
5962	Chrome	Zamak



Stainless steel snaps

- Includes two snaps per package



Part #	Style	Mount Hole Diameter	Size
1340	Dog	30"	1"
1341	Baby	45"	3/4"



Pull pins

- Made from marine grade 316 stainless steel

Part #	Includes
11227	Two pins and safety lanyard



5962



11713

Eye straps

- Attachment points for tie-downs



Part #	Loop Size	Length	Color	Material
5962	5/16"	1-1/2"	Chromed	Zamak
11713	1/2"	1-7/8"	Black	Nylon



11736

Bimini hinge thumb screw

- Wide knobs are easy to grip and turn
- Includes two screws per package



Part #	Diameter	Length	Color
11736	1/4"	1"	Black



11717



11734



1204

Horizontal mount deck hinges

- 2-1/2" (L) x 7/8" (W) x 1-1/4" (H)
- Bolt diameter 1/4"
- Includes two hinges per package

Part #	Description	Color	Material
11717	Deck Hinge	Black	Nylon
1204	Deck Hinge	Chromed	Zamak
11733	90° deck hinge	Polished	Stainless steel
11734	60° angle deck hinge	Polished	Stainless steel



11721



1205



11735

Side mount deck hinges

- 2-1/2" (L) x 7/8" (W) x 1" (H)
- Bolt diameter 1/4"
- Includes two hinges per package

Part #	Color	Material
11721	Black	Nylon
1205	Chromed	Zamak
11735	Polished	Stainless steel



11206



11707



11729

External eye ends

- Eye end slides over tube and connects to jaw slide or deck hinge (not included)
- Includes two eye ends per package



Part #	Size	Color	Material
11206	7/8"	Chromed	Zamak
1203	3/4"	Chromed	Zamak
11707	7/8"	Black	Nylon
11705	3/4"	Black	Nylon
11729	7/8"	Polished	Stainless steel
11730	1"	Polished	Stainless steel



11207



11703

Internal eye end

- Eye end slides into tube and connects to jaw slide or deck hinge (not included)
- Includes two eye ends per package



Part #	Size	Color	Material
11207	7/8"	Chromed	Zamak
1202	3/4"	Chromed	Zamak
11703	7/8"	Black	Nylon



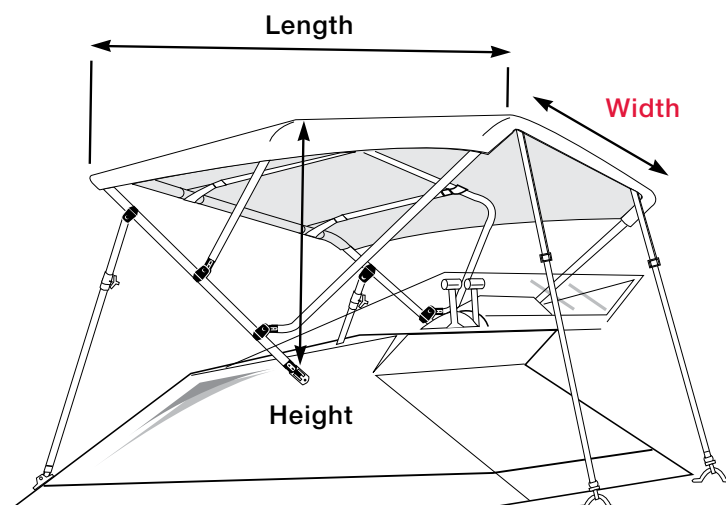
PONTOON BIMINIS

Manufactured with superior features, these units are sold with the frame, fabric tops and storage boots packaged separately. Frames are available in bright dip anodized aluminum or stainless steel. Stainless steel frames come with stainless steel fittings, bright dip anodized aluminum frames come with marine grade nylon hardware. Fabric tops are available in Hot Shot™, Ultima™, or Sunbrella® brand fabrics.

Step 1 - Measure for your frame

1. Determine the width: 96" or 102".
Measure from the mounting point on one side of the pontoon, to the same location on the opposite side of the pontoon.
2. Choose the width that best matches your mounting point measurement.

Frames are designed as 'knock-down' frames, meaning they snap together via double-sided snap buttons.



Step 2 - Select your fabric

From the economical Hot Shot™ solution-dyed fabric to the premier durability and style of Sunbrella®, the choice is yours when it comes to your bimini. All of our fabric choices are treated for water repellency and mildew resistance to withstand the harsh marine environment.

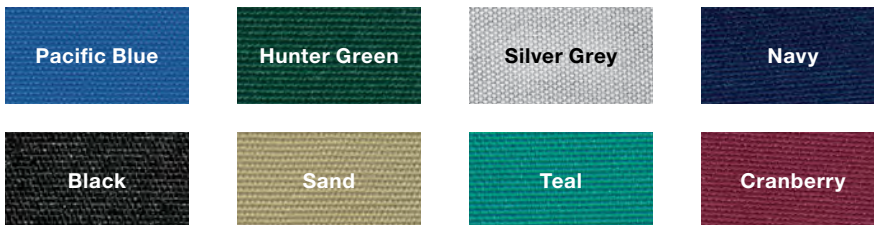
Hot Shot™ fabric

- Weight: 6.25 oz. per sq. yard
- Acrylic-coated polyester



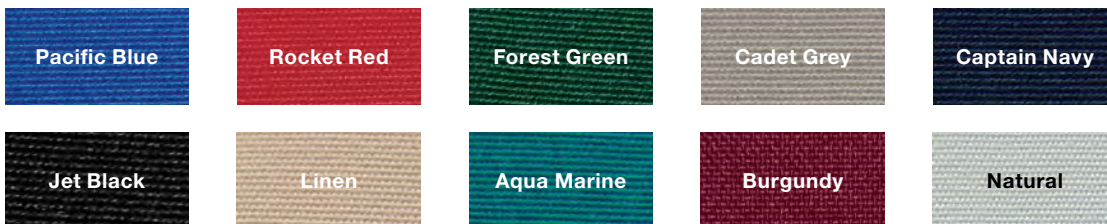
Ultima™ fabric

- Weight: 7 oz. per sq. yard
- Urethane-coated polyester



Sunbrella® fabric

- Weight: 9 oz. per sq. yard
- Solution-dyed acrylic performance



Step 3 - Select your storage boot

Zippered storage boots provide a convenient way to keep your top clean and neat while being stored. Boot sizes are determined by frame width. Boots are available in the same fabrics as the tops above. All boots feature full-length separating zippers for easy storage and removal.

All Bimini BoaTops® ship within five business days



8
FOOT

PONTOON BIMINI FRAMES & FABRICS

56" Frame Height From The Mounting Point			Storage Boots	
Beam Width	96"	102"	96"	102"
Frame #	601325	601326	--	--
Hot Shot Fabric				
Pacific Blue	840000B	840050B	840010B	840060B
Hunter Green	840000F	840050F	840010F	840060F
Charcoal Grey	840000G	840050G	840010G	840060G
Navy	840000N	840050N	840010N	840060N
Black	840000R	840050R	840010R	840060R
Sand	840000S	840050S	840010S	840060S
Teal	840000T	840050T	840010T	840060T
Cranberry	840000Y	840050Y	840010Y	840060Y
White	840000W	840050W	840010W	840060W
Ultima Fabric				
Pacific Blue	840000UB	840050UB	840010UB	840060UB
Hunter Green	840000UF	840050UF	840010UF	840060UF
Silver Grey	840000UG	840050UG	840010UG	840060UG
Navy	840000UN	840050UN	840010UN	840060UN
Black	840000UK	840050UK	840010UK	840060UK
Sand	840000US	840050US	840010US	840060US
Teal	840000UT	840050UT	840010UT	840060UT
Cranberry	840000UR	840050UR	840010UR	840060UR
Sunbrella Fabric				
Pacific Blue	840000AB	840050AB	840010AB	840060AB
Rocket Red	840000AE	840050AE	840010AE	840060AE
Forest Green	840000AF	840050AF	840010AF	840060AF
Cadet Grey	840000AG	840050AG	840010AG	840060AG
Captain Navy	840000AN	840050AN	840010AN	840060AN
Jet Black	840000AR	840050AR	840010AR	840060AR
Linen	840000AS	840050AS	840010AS	840060AS
Aqua Marine	840000AT	840050AT	840010AT	840060AT
Burgundy	840000AY	840050AY	840010AY	840060AY
Natural	840000AW	840050AW	840010AW	840060AW

How to order stainless steel frames

To order your frame in stainless steel, simply add 'SS' to the end of the 'Frame #' from the table below.

Example: #601325SS is a stainless steel bimini top, 56" high with a length of 8' and a width of 96".

Pontoon bimini storage boots

Zippered storage boots provide a convenient way to keep your top clean and neat while being stored. Boot size is determined by frame width. All boots feature full-length separating zippers for easy storage and removal.



8
FOOT

PONTOON BIMINI WITH LIGHT CUTOUT

- Fabric cutout will accommodate lights
- Four-bow, bright dip anodized aluminum frame has a 1-1/4" square aluminum tubing for a sturdy and taut cover
- Aluminum hardware and stainless-steel fittings
- All tops measure 8' long and 56" tall
- Choose from Hot Shot™, Ultima™ or Sunbrella® brand fabrics
- Frame is a 'knock-down' style (shippable by UPS)



To order your frame in stainless steel, simply add 'SS' to the end of the 'Frame #' from the table below.

For example: #601325SS is a stainless steel bimini top, 56" high with a length of 8' and a width of 96".

56" Frame Height From The Mounting Point			Storage Boots	
Beam Width	96"	102"	96"	102"
Frame #	601325	601326	--	--
Hot Shot Fabric				
Pacific Blue	843160B	843180B	843170B	843190B
Hunter Green	843160F	843180F	843170F	843190F
Charcoal Grey	843160G	843180G	843170G	843190G
Navy	843160N	843180N	843170N	843190N
Black	843160R	843180R	843170R	843190R
Sand	843160S	843180S	843170S	843190S
Teal	843160T	843180T	843170T	843190T
Cranberry	843160Y	843180BY	843170Y	843190Y
White	843160W	843180W	843170W	843190W
Ultima Fabric				
Pacific Blue	84316UB	84318UB	84317UB	84319UB
Hunter Green	84316UF	84318UF	84317UF	84319UF
Silver Grey	84316UG	84318UG	84317UG	84319UG
Navy	84316UN	84318UN	84317UN	84319UN
Black	84316UK	84318UK	84317UK	84319UK
Sand	84316US	84318US	84317US	84319US
Teal	84316UT	84318UT	84317UT	84319UT
Cranberry	84316UR	84318UR	84317UR	84319UR
Sunbrella Fabric				
Pacific Blue	84316AB	84318AB	84317AB	84319AB
Rocket Red	84316AE	84318AE	84317AE	84319AE
Forest Green	84316AF	84318AF	84317AF	84319AF
Cadet Grey	84316AG	84318AG	84317AG	84319AG
Captain Navy	84316AN	84318AN	84317AN	84319AN
Jet Black	84316AR	84318AR	84317AR	84319AR
Linen	84316AS	84318AS	84317AS	84319AS
Aqua Marine	84316AT	84318AT	84317AT	84319AT
Burgundy	84316AY	84318AY	84317AY	84319AY
Natural	84316AW	84318AW	84317AW	84319AW



PONTOON Bimini Kits

- Fit 8' wide pontoon boats with a 1-1/4" railing and are available in 8' and 10' lengths
- All tops measure 8' long and 56" tall
- Four-bow bright dip anodized aluminum frame has a 1-1/4" square aluminum tubing for a sturdy and taut cover
- Choose from seven fabric colors in a durable 100% solution-dyed polyester, 6.25 oz/sq. yard
- Fabric includes a stern light cut-out
- Kit includes frame, fabric, storage boot, aluminum hardware and stainless-steel fittings
- Frame is a 'knock-down' style (shippable by UPS)



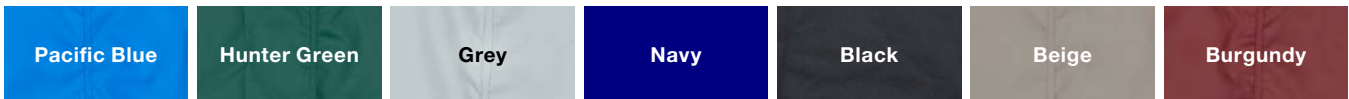
Our bimini top cover is crafted using top-performing materials, from the marine-grade fabrics to the tough frames



1-1/4" square aluminum tubing for a sturdy and taut cover and front and back metal stanchions for added stability in high winds



Includes the frame, fabric and matching storage boots – all you need for a new and refreshed look for your pontoon boat



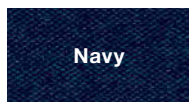
Length	Color	Kit #	Skin / Boot Only #	Frame Only #
8'	Pacific Blue	88131	88138	88139
	Hunter Green	88127	88134	
	Grey	88126	88133	
	Navy	88128	88135	
	Black	88125	88132	
	Beige	88130	88137	
	Burgundy	88129	88136	

Length	Color	Kit #	Skin / Boot Only #	Frame Only #
10'	Pacific Blue	88146	88153	88154
	Hunter Green	88142	88149	
	Grey	88141	88148	
	Navy	88143	88150	
	Black	88140	88147	
	Beige	88145	88152	
	Burgundy	88144	88151	



PONTOON PLAYPEN SHADE

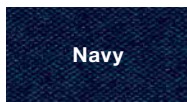
- Fits 22' to 24' pontoons and provides an additional 12' of shaded area
- Protects your seats from the harmful UV rays and other harsh weather conditions
- Top is constructed from 6.25 ounce Hot Shot™ acrylic-coated polyester fabric
- Adjustable straps secure shade to the front bow of your existing bimini or hard top and down the playpen railing
- Features quick release buckles for simple and fast installation
- Shade folds down to compact size for ease of storage
- Only use while moored or anchored



Part #	Color
120090B	Pacific Blue
120090N	Navy
120090R	Black
120090S	Sand

PONTOON GAZEBO

- Fits 8' to 10' wide pontoons and provides an additional 8' of shaded area
- Measures 8' (L) x 102" (W) x 50" (H)
- Protects your seats from the harmful UV rays and other harsh weather conditions
- Top is constructed from 6.25 ounce Hot Shot™ acrylic-coated polyester fabric
- Large interior allows you to sit comfortably and provides excellent head room
- Shock-corded fiberglass pole framework breaks down quickly for easy storage
- Includes frame, hardware and storage bag
- Shade folds down for compact storage
- Only use while moored or anchored



Part #	Color
120030B	Pacific Blue
120030N	Navy
120030R	Black
120030S	Sand

PONTOON BOAT COVER SUPPORT SYSTEM

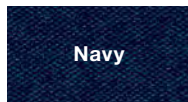
- Creates a slope in your boat cover to prevent water from pooling or pocketing
- Quick release 12" adjuster buckles
- Four injection molded hooks to secure decking
- Includes two adjustable support poles and 60' of 1" polypropylene webbing
- Non-marring materials will not scuff boat rails
- Protects pontoon cover from mold and mildew



Part #	Pole Height	Cord Length	Cord Size
55745	27" to 50"	60'	1"

PONTOON ENCLOSURE

- Adds shade, shelter and privacy to your pontoon
- Enclosure measures approximately 56" (L) x 74" (H) (varies slightly by beam and railing height)
- Fits both 96" and 102" wide pontoons
- Large interior allows you to sit comfortably and provides excellent head room
- Shock-corded fiberglass pole framework breaks down quickly for easy storage
- Constructed from durable, polyester fabric shell with zippered entryway and mesh windows
- Includes frame, hardware and storage bag
- Shade folds down for compact storage
- Only use while moored or anchored



Part #	Color
120060B	Pacific Blue
120060N	Navy
120060R	Black
120060S	Sand

EASY UP PRIVACY PARTITION

- Installed anywhere under your bimini or hard top
- Fire retardant marine-grade polyester
- Straps and hardware included for installation
- Easily secures with UV-resistant tie-downs and fasteners
- Includes full-length heavy-duty zipper



Part #	Color	Width	Length	Height
67867	Grey	30"	30"	70"



ANCHORSHADE III BOAT UMBRELLA

- Market style top allows for venting for a lateral breeze under your awning
- Lightweight, patented material is mildew and UV-resistant giving you the protection you need on your boat, dock or beach
- Lightweight and portable, this awning has a carrying case with a shoulder strap
- Four-point locking height adjuster and sur-lock push up mechanism, allowing you to adjust to your boat as needed up to 8'
- Easy to install with the adjustable straps
- Solid fiberglass ribs for a solid structure on a powder-coated aluminum frame to resist rust
- Used while idle or anchoring



Two times stronger hinge connectors are even stronger than before



Sur-lock push up mechanism locks in place up to 8'



Comes complete with its own heavy-duty carrying case with shoulder strap

Part #	Color
22043	Pacific Blue
22047	Hunter Green
22057	Grey
22046	Navy
22045	Red

Part #	Color
22049	Black
22048	Sand
22044	Teal
22042	White
22056	Burgundy



SAILSHADE BOAT UMBRELLA

- Long-lasting knitted polyethylene fabric allows rain to pass through so no pooling water can occur
- Features heavy-duty stainless steel D-rings
- Mounting hardware sold separately



Breathable shade allows refreshing breezes to flow through while reducing temperatures underneath by up to 30%



Stay protected from up to 90% of harmful UV rays with this stylish and versatile shade



Use anywhere shade is needed; your yacht, backyard, pool, patio or picnic area

Part #	Style	Size
12019	Square	16' 5"
12020	Square	12'

Part #	Style	Size
12021	Triangle	16' 5"
12022	Triangle	12'

SAILSHADE MOUNTING KITS

- Corrosion-resistant stainless steel
- Kit includes turnbuckles, pad eyes and carabiner hooks

Part #	Fits
12023	Square sailshades
12024	Triangle sailshades





BOAT COVERS



FEATURED PRODUCTS



| BoatGuard® boat covers

America's best selling universal-fit trailerable boat covers are strong enough to be trailered and capable of surviving the rigors of the road.



| Trailerite® boat covers

Protect your boat from the elements with our complete line of customizable covers featuring a variety of color and fabric choices.



| Custom T-top boat covers

Know your boat is protected from the elements by a durable cover fit to your specific boat. Taylor Made has you covered.

PRODUCT INDEX



110

BoatGuard® Boat Covers



111

BoatGuard® Eclipse® Boat Covers



112

Trailerite® Semi-Custom Boat Covers



128

Boat Cover Accessories



131

Specialty Motor Covers



132

Custom T-Top Boat Covers



136

Semi-Custom T-Top Boat Covers



139

Trailerite® Pro Series Covers



140

Performance Dinghy Boat Covers



142

Personal Watercraft Custom Covers



143

Custom Inflatable Boat Covers



145

Deck Chair Covers



BOAT COVERS

Step 1 - Select your cover

Taylor Made produces a variety of different ways to protect your boat from the elements. Our complete line of boat covers offer customizable features and a variety of color and fabric choices.



Double stitching



Sewn in tie-down loops



Patented rope lock

Feature	BoatGuard	Trailerite Semi-Custom	Trailerite Custom
Fit	Universal	Semi-custom	Custom
Fits hull styles	11	Over 35	Specific to make / model
Fabric	HotShot only	HotShot only	HotShot or Ultima
Sewn-in tie down loops	Yes, four-ply seams	Yes, four-ply seams	Yes, four-ply seams
Double folded hems	Yes	Yes	Yes
Trailerable	Yes	Yes	Yes
Reinforcements	No	Yes	Yes
Strap kit included	Yes	Yes	Yes
Hem	Shock cord	Shock cord	Nylon rope
Patented rope lock	No	No	Yes

Step 2 - Select your fabric

From the economical Hot Shot™ solution-dyed fabric to the durability and style of Ultima™, the choice is yours when it comes to your boat cover. Our fabric choices are treated for water repellency and mildew resistance to withstand the harsh marine environment.

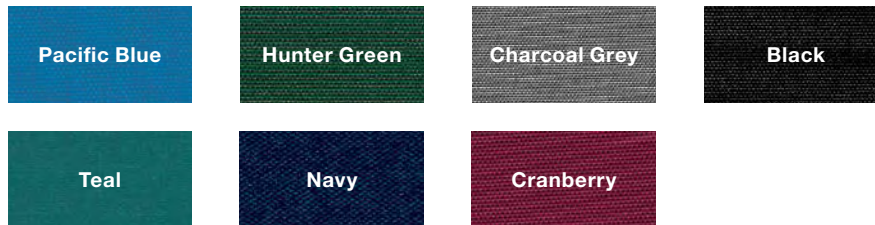
To see complete listing of all custom covers available visit, call or email us at:
taylor-made-products.com / 1.800.628.5188 / boatcovers@taylor-made-products.com

Hot Shot™ fabric

BoatGuard® original and Eclipse, Trailerite® custom and semi-custom covers

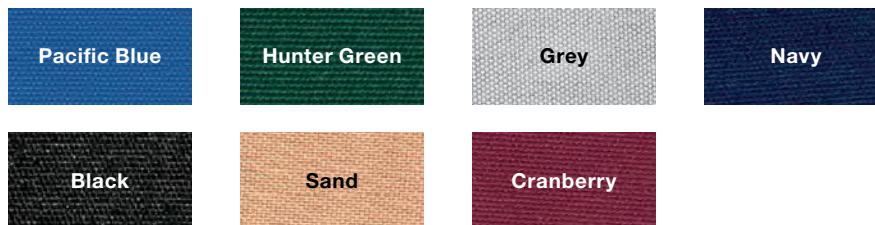
Weight: 6.25 oz. per sq. yard

Acrylic-coated polyester



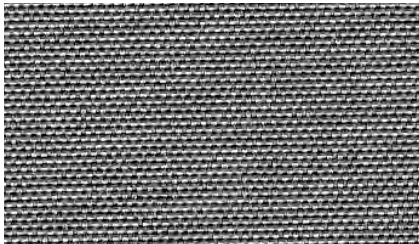
Ultima™ fabric

- Trailerite® custom covers only
- Weight: 7 oz. per sq. yard
- Urethane-coated polyester



BOATGUARD® BOAT COVERS

- Made from 300 denier polyester silver fabric
- Easy to clean fabric is lightweight, breathable, mildew-resistant and UV-resistant
- Ideal for trailering short trips
- Four-ply folded seams and double shock-corded hems
- Includes storage bag
- 2-year limited warranty



Hotshot™ acrylic polyester grey fabric is lightweight and water repellent



Strong 1" tie-down loops secure the cover without scratching the boat



Max Beam Width	Style	Length	Part #
75"	Aluminum fishing	12' to 14'	70201
75"	Aluminum fishing	14' to 16'	70202
84"	Drift boat	16' to 17'	70000
90"	V-hull runabout bow rider	14' to 16'	70203
96"	Fish 'n ski	16' to 19'	70204
96"	Tournament style bass	17' to 19'	70190
96"	Center console	17' to 19'	70211

Max Beam Width	Style	Length	Part #
102"	V-hull runabout bow rider	17' to 19'	70205
102"	V-hull runabout bow rider	19' to 21'	70206
102"	Center console	19' to 21'	70191
102"	V-hull runabout bow rider	21' to 23'	70192
102"	Cuddy cabin	21' to 23'	70207
102"	Pontoon (playpen)	18' to 20'	70210
102"	Pontoon (playpen)	22' to 24'	70193



BOATGUARD® ECLIPSE® BOAT COVERS

- Unique design spreads strap tension evenly across cover surface
- Fabric keeps boat interior temperature up to 20° cooler
- 300 denier heavy-duty 6.25 oz. polyester fabric in two-tone colors
- Easy to clean fabric is lightweight, breathable, mildew-resistant and UV-resistant
- Fully trailerable
- Four-ply folded seams and double shock-corded hems
- Includes storage bag, tie-down straps and support pole
- 5-year limited warranty



Includes storage bag, tie-down straps and support pole



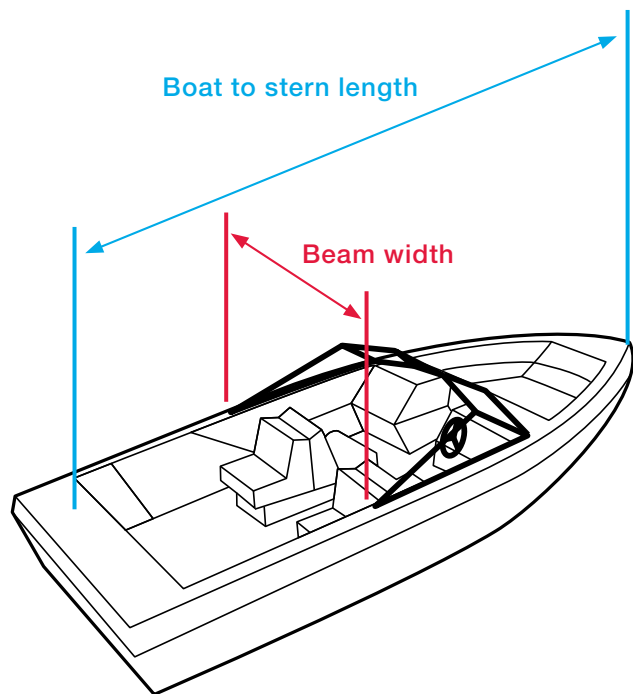
Sewn in air vent provides proper air circulation under the cover

Max Beam Width	Style	Length	Part #
75"	Aluminum fishing	12' to 14'	70901
75"	Aluminum fishing	14' to 16'	70902
90"	V-hull runabout bow rider	14' to 16'	70903
90"	Inshore fishing	17' to 19'	70915
96"	Competition ski	19' to 21'	70917
96"	Fish 'n ski	16 to 19'	70904
96"	Tournament style bass	17' to 19'	70908
96"	Center console	17' to 19'	70911

Max Beam Width	Style	Length	Part #
102"	V-hull runabout bow rider	17' to 19'	70905
102"	V-hull runabout bow rider	21' to 23'	70910
102"	Cuddy cabin	21' to 23'	70907
102"	Pontoon	22' to 24'	70912
102"	Pontoon	18' to 20'	70913
102"	V-hull bay boat	20' to 22'	70914
102"	V-hull cuddy cabin	23' to 25'	70916

TRAILERITE® SEMI-CUSTOM BOAT COVERS

- Semi-custom fit for a wide-variety of boat styles
- Made with HotShot™ acrylic polyester fabric and available in seven colors
- Easy to clean fabric is lightweight, breathable, mildew-resistant and UV-resistant
- Ideal for trailering short trips
- Four-ply folded seams and double shock-corded hems
- Includes storage bag, bow and transom reinforcements
- 2-year warranty



Always measure your boat to be absolutely sure that you are getting the correct cover for your boat

Over the years, some boat manufacturers occasionally reuse boat model numbers or names. Boats with the same name or model number can actually vary in style or size.

To order your Trailerite® boat cover in Hot Shot™ fabric, locate the correct part # from the following tables for your matching boat style. Once you have your base # you will add the letter 'O' as a suffix, followed by the desired color code letter from the swatches below.

For example: 70215OT = Hot Shot™ in Teal.



Extra care should be taken to protect your cover from coming into contact with sharp edges such as windshields, accessory brackets, or bow mounted electric trolling motors. Please pad these areas before installing your cover.

Need a custom cover for your boat?

For help finding the correct cover for your boat use one of our easy services:

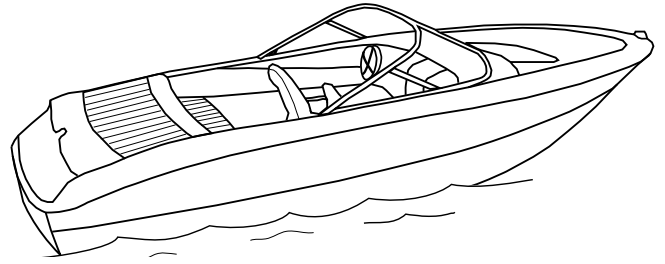
Online Fit Guide: taylormadeproducts.com

Boat Cover Hot Line: 1.800.628.5188

E-mail: boatcovers@taylormadeproducts.com

Euro V-Hull Runabouts

- Fits open or closed bow style runabouts and low profile cuddy cabins
- Curved glass windshields
- Inboard or outboards
- Includes extended / aftermarket swim platforms in overall length
- Motor hoods sold separately

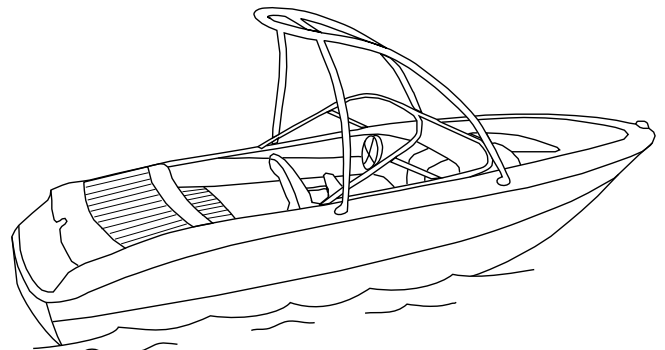


Center-Line Length	Max Beam Width	Outboard #	I/O #
17' 5" - 18' 4"	102"	70252	70241
18' 5" - 19' 4"	102"	70253	70242
19' 5" - 20' 4"	102"	70254	70243
20' 5" - 21' 4"	102"	70255	70244
21' 5" - 22' 4"	102"	70256	70245
22' 5" - 23' 4"	102"	70257	70246

Center-Line Length	Max Beam Width	Outboard #	I/O #
23' 5" - 24' 4"	102"	70258	70247
24' 5" - 25' 4"	102"	70259	70248
25' 5" - 26' 4"	102"	70260	70249
26' 5" - 27' 4"	102"	70261	70250
27' 5" - 28' 4"	102"	70262	70251

Euro V-Hull Runabouts with Wakeboard Tower

- Fits open or closed bow style runabouts
- Curved glass windshields
- Does not accommodate tower feet mounted to top of boat's gunnel
- Designed for inboard or outboards
- Includes extended/aftermarket swim platforms in overall length
- Motor hoods sold separately

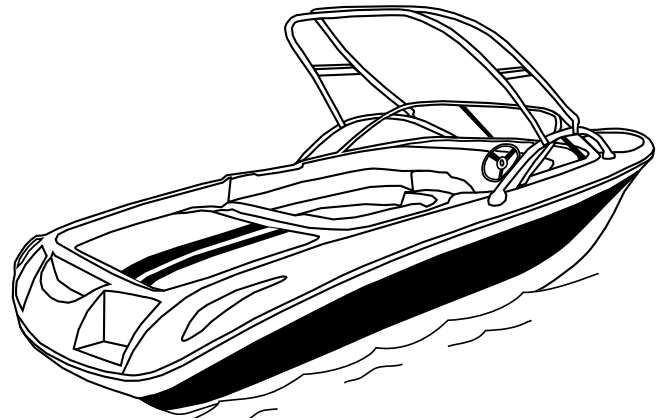


Center-Line Length	Max Beam Width	Outboard #	I/O #
17' 5" - 18' 4"	102"	76700	76704
18' 5" - 19' 4"	102"	76701	76705
19' 5" - 20' 4"	102"	76702	76706
20' 5" - 21' 4"	102"	76703	76707

Center-Line Length	Max Beam Width	Outboard #	I/O #
21' 5" - 22' 4"	102"	77960	76708
22' 5" - 23' 4"	102"	77961	76709
23' 5" - 24' 4"	102"	77962	76710

Euro Tournament Ski Boats with Wakeboard Tower

- Side-mounted wakeboard tower
- Standard windshields and seating
- Designed for inboards
- Mastercrafts and Correct Crafts / Nautiques
- Includes extended / aftermarket swim platforms in overall length
- Accommodates most tower mounting configurations
- Hook and loop closure secures cover around tower frames

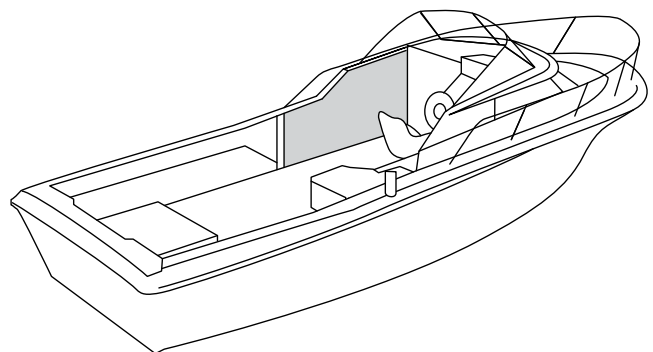


Center-Line Length	Max Beam Width	Outboard #
17' 5" - 18' 4"	96"	76737
18' 5" - 19' 4"	96"	76738
19' 5" - 20' 4"	96"	76739
20' 5" - 21' 4"	96"	76740

Center-Line Length	Max Beam Width	Outboard #
21' 5" - 22' 4"	96"	76741
22' 5" - 23' 4"	102"	76742
23' 5" - 24' 4"	102"	76743

Conventional Style Walk-Around Cuddy Cabin Boats

- Wide V-hulls
- Large cockpit
- Walk-around windshield
- 6-18" bow rails
- Motor hoods sold separately

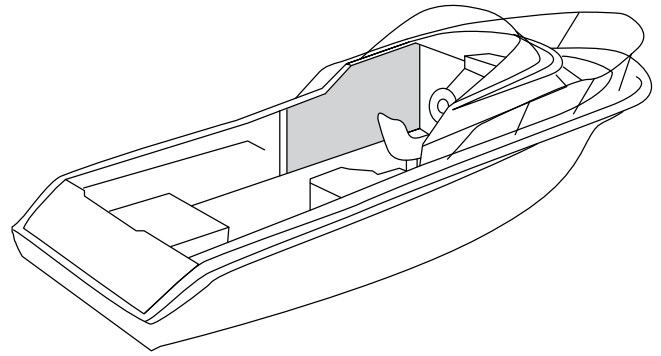


Center-Line Length	Max Beam Width	Outboard #	I/O #
19' 5" - 20' 4"	102"	88061	88071
20' 5" - 21' 4"	102"	88062	88072
21' 5" - 22' 4"	102"	88063	88073
22' 5" - 23' 4"	102"	88064	88074
23' 5" - 24' 4"	102"	88065	88075
24' 5" - 25' 4"	102"	88066	88076
25' 5" - 26' 4"	102"	77944	77937

Center-Line Length	Max Beam Width	Outboard #	I/O #
26' 5" - 27' 4"	102"	77945	77938
27' 5" - 28' 4"	102"	77946	77939
28' 5" - 29' 4"	102"	77947	77940
29' 5" - 30' 4"	102"	77948	77941
30' 5" - 31' 4"	102"	77949	77942
31' 5" - 32' 4"	102"	77950	77943

Euro Style Walk-Around Cuddy Cabin Boats

- Wide V-hulls
- Large cockpit
- Walk-around windshield
- 6-18" bow rails
- Motor hoods sold separately

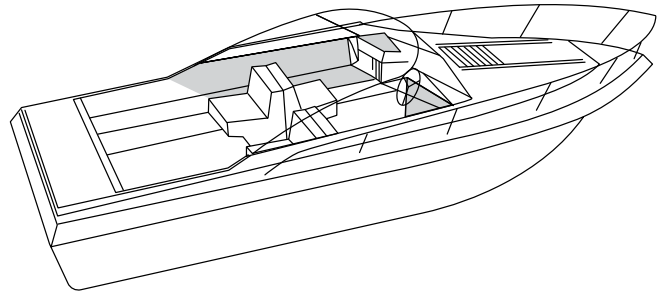


Center-Line Length	Max Beam Width	Outboard #	I/O #
19' 5" - 20' 4"	102"	78008	77995
20' 5" - 21' 4"	102"	78009	77996
21' 5" - 22' 4"	102"	78010	77997
22' 5" - 23' 4"	102"	78011	77998
23' 5" - 24' 4"	102"	78012	77999
24' 5" - 25' 4"	102"	78013	77800
25' 5" - 26' 4"	102"	78014	77801

Center-Line Length	Max Beam Width	Outboard #	I/O #
26' 5" - 27' 4"	102"	78015	78002
27' 5" - 28' 4"	102"	78016	78003
28' 5" - 29' 4"	102"	78017	78004
29' 5" - 30' 4"	102"	78018	78005
30' 5" - 31' 4"	102"	78019	78006
31' 5" - 32' 4"	102"	78020	78007

V-Hull Cuddy Cabin Boats

- 6-18" bow rails
- Forward decks
- Reduced cockpit
- High windshields
- Fits single outboards
- Does not accommodate extended/ aftermarket swim platforms
- Motor hoods sold separately

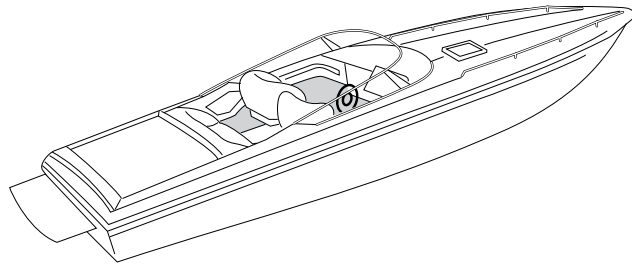


Center-Line Length	Max Beam Width	Outboard #	I/O #
17' 5" - 18' 4"	93"	72918	72718
18' 5" - 19' 4"	93"	72919	72719
19' 5" - 20' 4"	102"	72920	72720
20' 5" - 21' 4"	102"	72921	72721

Center-Line Length	Max Beam Width	Outboard #	I/O #
21' 5" - 22' 4"	102"	72922	72722
22' 5" - 23' 4"	102"	72923	72723
23' 5" - 24' 4"	102"	72924	72724
24' 5" - 25' 4"	102"	72925	72725

Day Cruiser Boats

- Long deck V-hulls and bows
- Minimal cockpit space
- Low profile windshields
- Low rails up front
- Padded engine compartment decks
- Includes extended / aftermarket swim platforms in length measurements if applicable

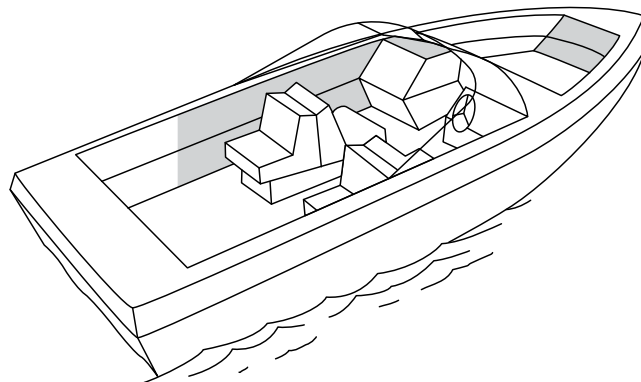


Center-Line Length	Max Beam Width	I/O #
15' 5" - 16' 4"	80"	76716
16' 5" - 17' 4"	82"	76717
17' 5" - 18' 4"	84"	76718
18' 5" - 19' 4"	89"	76719
18' 5" - 19' 4"	92"	76722
19' 5" - 20' 4"	92"	76720
20' 5" - 21' 4"	95"	77930
20' 5" - 21' 4"	98"	88021
21' 5" - 22' 4"	98"	88022
22' 5" - 23' 4"	102"	88023

Center-Line Length	Max Beam Width	I/O #
23' 5" - 24' 4"	102"	88024
24' 5" - 25' 4"	102"	88025
25' 5" - 26' 4"	102"	88026
26' 5" - 27' 4"	102"	77931
27' 5" - 28' 4"	102"	77932
28' 5" - 29' 4"	102"	77933
29' 5" - 30' 4"	102"	77934
30' 5" - 31' 4"	102"	77935
31' 5" - 32' 4"	102"	77936

V-Hull Runabouts

- Open or closed bow
- Fits integrated swim platforms and square transoms
- Does not accommodate extended / aftermarket swim platforms
- Bow rails under 6"
- Accommodates low profile accessories and windshields up to 27"
- Sewn in motor hoods

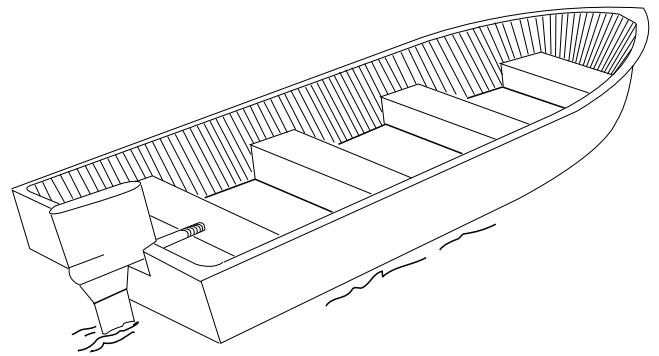


Center-Line Length	Maximum Beam Width	Outboard #	I/O #
13' 5" - 14' 4"	68"	70214	70212
13' 5" - 14' 4"	73"	71214	70213
14' 5" - 15' 4"	76"	70215	70224
14' 5" - 15' 4"	81"	71215	70237
15' 5" - 16' 4"	76"	70216	70716
15' 5" - 16' 4"	86"	71223	71723
16' 5" - 17' 4"	80"	70217	70717
16' 5" - 17' 4"	90"	71224	71724
17' 5" - 18' 4"	86"	70218	70718
17' 5" - 18' 4"	96"	71225	71725

Center-Line Length	Maximum Beam Width	Outboard #	I/O #
18' 5" - 19' 4"	88"	70219	70719
18' 5" - 19' 4"	96"	71226	71726
19' 5" - 20' 4"	102"	70220	70720
20' 5" - 21' 4"	102"	70221	70721
21' 5" - 22' 4"	102"	70222	70722
22' 5" - 23' 4"	102"	70223	70723
23' 5" - 24' 4"	102"	70234	70724
24' 5" - 25' 4"	102"	70235	71727
25' 5" - 26' 4"	102"	70236	71728

Basic Fishing Boats

- Bench seats and removable pedestal seats
- Does not accommodate trolling motor
- Bow and transom reinforcement
- With or without sewn in motor hoods

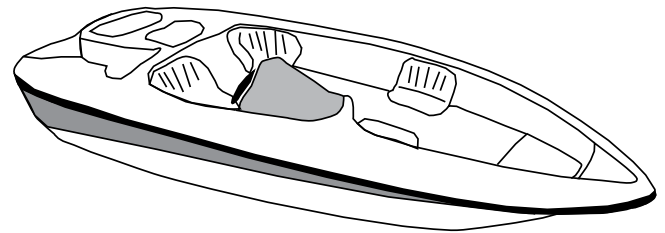


Center-Line Length	Maximum Beam Width	Outboard #	I/O #
11' 5" - 12' 4"	58"	86012	86112
11' 5" - 12' 4"	69"	77968	77979
12' 5" - 13' 4"	62"	86013	86113
12' 5" - 13' 4"	72"	77969	77980
13' 5" - 14' 4"	62"	86014	86114
13' 5" - 14' 4"	74"	77970	77929
14' 5" - 15' 4"	65"	86015	86115
14' 5" - 15' 4"	76"	77971	77981
15' 5" - 16' 4"	76"	77971	77981

Center-Line Length	Maximum Beam Width	Outboard #	I/O #
15' 5" - 16' 4"	65"	86016	86116
15' 5" - 16' 4"	82"	77973	77983
15' 5" - 16' 4"	90"	77974	77984
16' 5" - 17' 4"	75"	86017	86117
16' 5" - 17' 4"	85"	77975	77985
16' 5" - 17' 4"	90"	77976	77986
17' 5" - 18' 4"	75"	86018	86118
17' 5" - 18' 4"	80"	77977	77987
17' 5" - 18' 4"	88"	77978	77988

Jet Boats

- Patterned to fit modern jet propelled boats
- Low profile decks
- Short side console windscreens

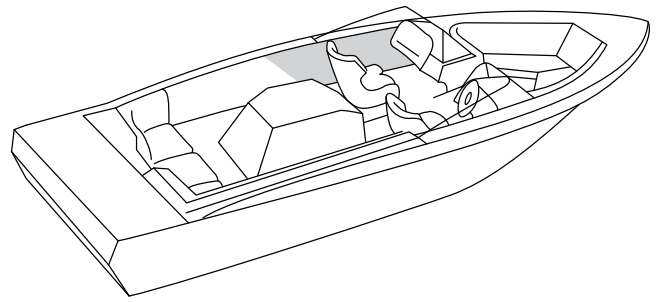


Center-Line Length	Max Beam Width	I/O #
13' 5" - 14' 4"	84"	70111
14' 5" - 15' 4"	84"	70112
15' 5" - 16' 4"	86"	77989
16' 5" - 17' 4"	86"	70113
17' 5" - 18' 4"	94"	70114

Center-Line Length	Max Beam Width	I/O #
18' 5" - 19' 4"	96"	77990
19' 5" - 20' 4"	96"	77991
20' 5" - 21' 4"	96"	77992
21' 5" - 22' 4"	102"	77993
22' 5" - 23' 4"	102"	77994

Competition Ski Boats

- High powered, flat wake competition ski boats with elongated cockpits
- Windshields and standard seating
- Designed for inboard props
- Mastercrafts and Correct Crafts / Nautiques
- Includes extended / aftermarket swim platforms in length if applicable

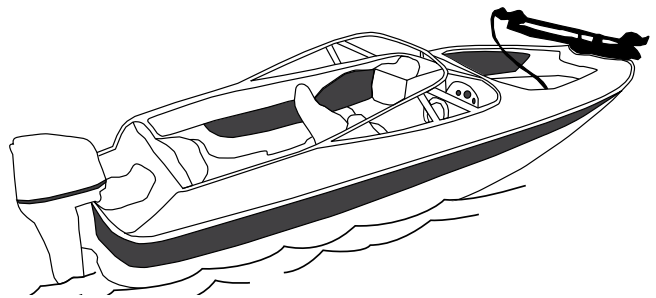


Center-Line Length	Maximum Beam Width	I/O #
17' 5" - 18' 4"	80"	76824
18' 5" - 19' 4"	84"	76825
18' 5" - 19' 4"	92"	76826

Center-Line Length	Maximum Beam Width	I/O #
19' 5" - 20' 4"	92"	76827
20' 5" - 21' 4"	86"	76828
21' 5" - 22' 4"	102"	76829

V-Hull Fish 'N Ski Boats

- Walk-thru windshield or dual consoles
- Removable or folded pedestal seats
- Fits wide transom boats
- Sewn in motor hood
- Accommodates port side mounted trolling motors

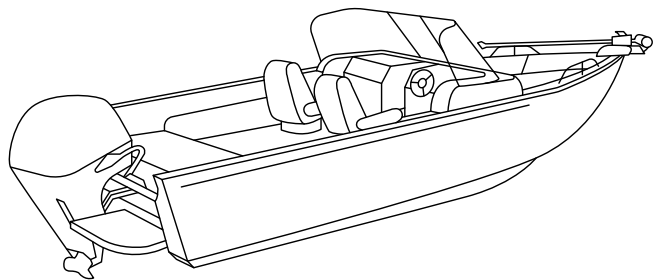


Center-Line Length	Maximum Beam Width	Outboard #	I/O #
17' 5" - 18' 4"	96"	74400	74500
18' 5" - 19' 4"	96"	74401	74501
19' 5" - 20' 4"	102"	74402	74502

Center-Line Length	Maximum Beam Width	Outboard #	I/O #
20' 5" - 21' 4"	102"	74403	74503
21' 5" - 22' 4"	102"	74404	74504
22' 5" - 23' 4"	102"	74405	74505

Fish 'N Ski Boats

- Walk-thru windshield or dual consoles
- Removable or folded pedestal seats
- Fits wide transom boats
- Sewn in motor hood
- Accommodates low profile trolling motors

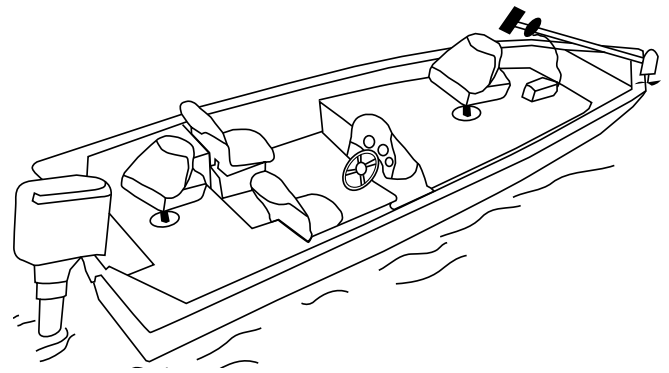


Center-Line Length	Maximum Beam Width	I/O #
14' 5" - 15' 4"	79"	83215
15' 5" - 16' 4"	79"	83216
16' 5" - 17' 4"	84"	83217
17' 5" - 18' 4"	92"	83218

Center-Line Length	Maximum Beam Width	I/O #
18' 5" - 19' 4"	96"	83219
19' 5" - 20' 4"	96"	83220
20' 5" - 21' 4"	96"	83214

Tournament Style Tri-Hull Fishing

- Fishing boats with squared or flared bows (like tri-hull bass boats or modified bass boats)
- Designed to accommodate folded or low profile fishing seats, port mounted trolling motors, windscreens and a side console only
- Motor hoods sold separately

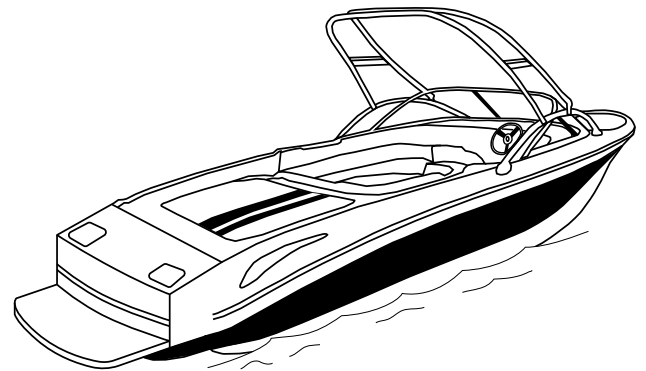


Center-Line Length	Max Beam Width	Outboard #
16' 5" - 17' 4"	85"	74315
17' 5" - 18' 4"	85"	74316
18' 5" - 19' 4"	90"	74317

Center-Line Length	Max Beam Width	Outboard #
19' 5" - 20' 4"	96"	70238
20' 5" - 21' 4"	96"	70239
21' 5" - 22' 4"	96"	70240

Conventional Tournament Ski Boats with Tower

- Mid-ship side-mounted wakeboard tower
- Does not accommodate tower feet mounted to top of boat's gunnel
- Hook and loop closure secures cover around tower frames
- High powered, flat wake competition ski boats with elongated cockpits
- Accommodates standard windshields and seating
- Mastercraft and Correct Craft / Nautique style boats
- Designed for inboard only

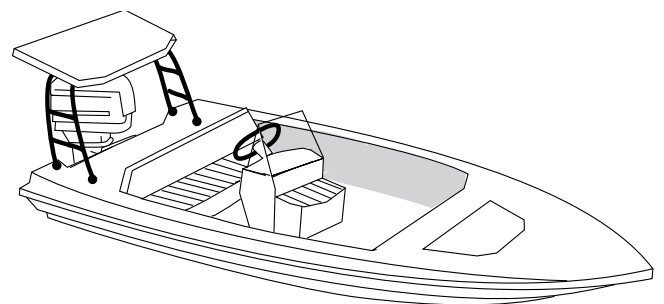


Center-Line Length	Max Beam Width	Inboard #
17' 5" - 18' 4"	90"	76730
18' 5" - 19' 4"	90"	76731
19' 5" - 20' 4"	102"	76732
20' 5" - 21' 4"	102"	76733

Center-Line Length	Max Beam Width	Inboard #
21' 5" - 22' 4"	102"	76734
22' 5" - 23' 4"	102"	76735
23' 5" - 24' 4"	102"	76736

Flats Boats

- Flat decks
- Cut out to accommodate poling platform (does not cover platform)
- Motor hoods sold separately

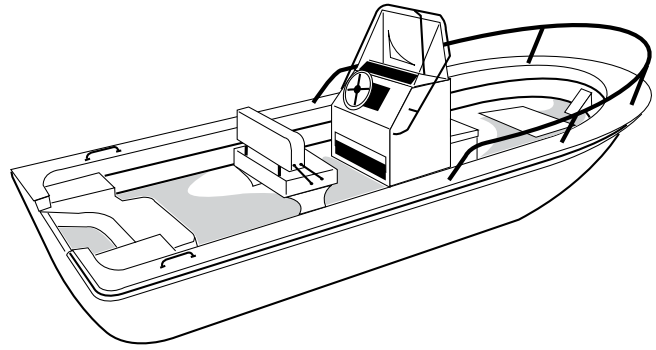


Center-Line Length	Max Beam Width	Outboard #
15' 6" - 16' 5"	80"	88000
16' 6" - 17' 5"	80"	88001
17' 6" - 18' 5"	96"	88002

Center-Line Length	Max Beam Width	Outboard #
18' 6" - 19' 5"	96"	88003
19' 6" - 20' 5"	96"	88004

Whaler Style Inshore Fishing Boats

- Fishing boats with squared or flared bows (like tri-hull bass boats or modified bass boats)
- Designed to accommodate folded or low profile fishing seats, port mounted trolling motors, windscreens and a side console only
- Motor hoods sold separately

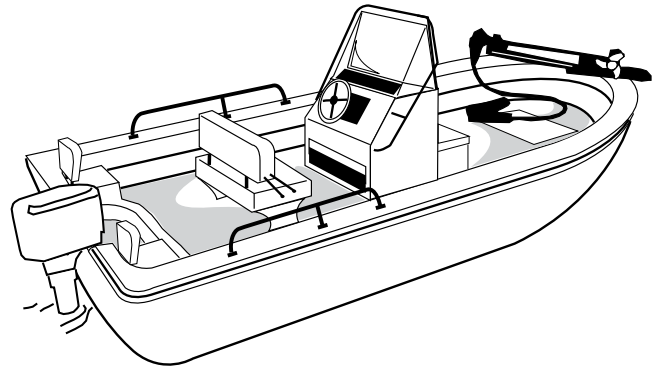


Center-Line Length	Max Beam Width	Outboard #
12' 5" - 13' 4"	66"	87201
13' 5" - 14' 4"	72"	87202
14' 5" - 15' 4"	74"	87203

Center-Line Length	Max Beam Width	Outboard #
15' 5" - 16' 4"	80"	87204
16' 5" - 17' 4"	88"	87205
17' 5" - 18' 4"	90"	87206

Rounded Bow Bay Boats

- Mid-ship side-mounted wakeboard tower
- Does not accommodate tower feet mounted to top of boat's gunnel
- Hook and loop closure secures cover around tower frames
- High powered, flat wake competition ski boats with elongated cockpits
- Accommodates standard windshields and seating
- Designed for inboard only
- Mastercraft and Correct Craft / Nautique style boats

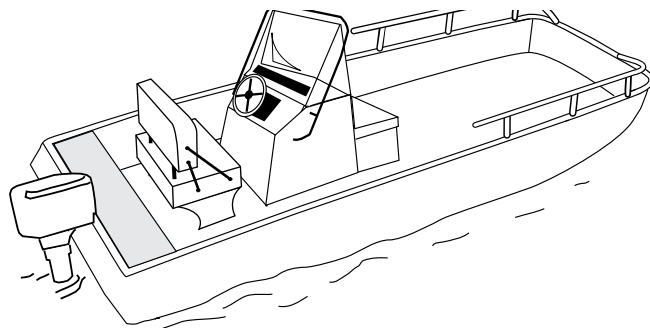


Center-Line Length	Max Beam Width	Outboard #
15' 6" - 16' 5"	82"	70730
16' 6" - 17' 5"	90"	70731
17' 6" - 18' 5"	94"	70732
18' 6" - 19' 5"	98"	70733

Center-Line Length	Max Beam Width	Outboard #
19' 6" - 20' 5"	102"	70734
20' 6" - 21' 5"	102"	70735
21' 6" - 22' 5"	102"	70745
22' 6" - 23' 5"	102"	70746

Square Bow Center Console Bay Boats

- Center consoles with heights up to 54" (including windscreen)
- Bow rails up to 6"
- Blunt bow
- Fits over low profile trolling motors
- Sewn in motor hoods
- Does not accommodate T-tops

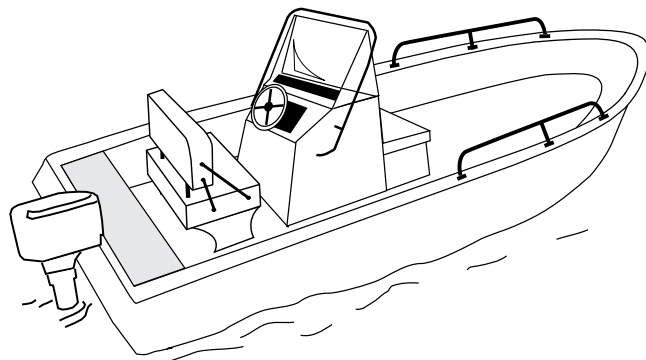


Center-Line Length	Max Beam Width	Part #
15' 6" - 16' 5"	90"	70755
16' 6" - 17' 5"	90"	70756
17' 6" - 18' 5"	94"	70757
18' 6" - 19' 5"	96"	70758

Center-Line Length	Max Beam Width	Part #
19' 6" - 20' 5"	96"	70759
20' 6" - 21' 5"	96"	70760
21' 6" - 22' 5"	96"	70761
22' 6" - 23' 5"	96"	70762

Bay Style V-Hull Center Console Boats

- Center consoles with heights (including windscreen) up to 54" from deck
- V-hull shallow draft hulls with wider beams
- Bow rails up to 6"
- Sewn in motor hoods
- Accommodates low profile trolling motors
- Does not accommodate T-tops

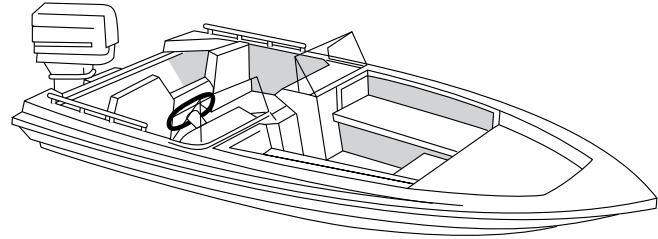


Center-Line Length	Max Beam Width	Outboard #
17' 5" - 18' 4"	102"	70747
18' 5" - 19' 4"	102"	70748
19' 5" - 20' 4"	102"	70749

Center-Line Length	Max Beam Width	Outboard #
20' 5" - 21' 4"	102"	70750
21' 5" - 22' 4"	102"	70751
22' 5" - 23' 4"	102"	70752

Tournament Style Bass Boats

- Wide transom bass boats
- Pedestal seats
- With or without windscreens
- Room for folded-up troller
- Sewn in motor hood

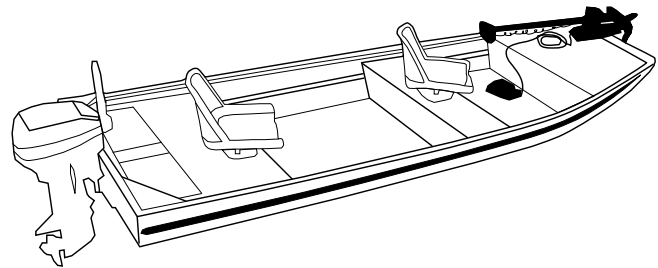


Center-Line Length	Max Beam Width	Outboard #
13' 5" - 14' 6"	75"	88031
14' 5" - 15' 6"	80"	88033
15' 5" - 16' 6"	70"	88034
15' 5" - 16' 4"	84"	88035

Center-Line Length	Max Beam Width	Outboard #
16' 5" - 17' 4"	88"	88037
17' 5" - 18' 4"	94"	88038
18' 5" - 19' 4"	94"	88039
19' 5" - 20' 4"	94"	88040

Square-Bow Aluminum Bass Boats

- Wide bow, folding pedestal seats
- Steering console without windscreen
- Sewn in motor hoods (fits up to 90 hp)
- Fits over low profile trolling motors
- Crestliner, Lund, Alumacraft, and Starcraft styles



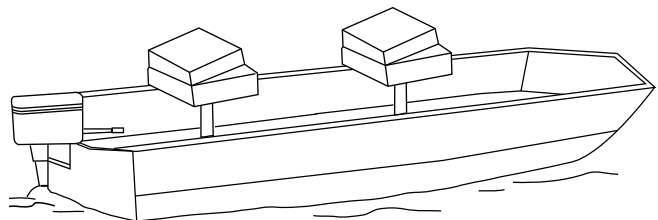
Center-Line Length	Max Beam Width	Outboard #
13' 5" - 14' 4"	65"	78218
14' 5" - 15' 4"	68"	78219
15' 5" - 16' 4"	74"	78220

Center-Line Length	Max Beam Width	Outboard #
16' 5" - 17' 4"	76"	78221
16' 5" - 17' 4"	82"	78223
17' 5" - 18' 4"	82"	78222

Molded Bass Boats

- Fits most basic molded bass boats without windshields
- Fits over folded pedestal seats
- Motor hoods sold separately

Center-Line Length	Max Beam Width	Pattern #
Up to 8'	48"	78216
Up to 9' - 6"	48*	78217



River Boats

- Bow, windshield and stern corner patch reinforcements
- Inboard or outboard patterns available
- Outboard models have sewn-in motor hood
- Designed for straight-up windshields located close to the bow
- Open aft area

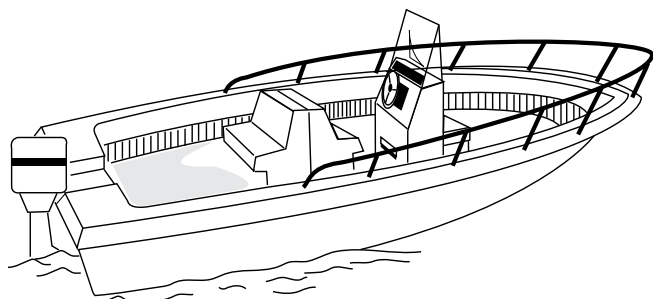


Center-Line Length	Max Beam Width	Outboard #	I/O #
16' 5" - 17' 4"	90"	75107	75207
17' 5" - 18' 4"	92"	75108	75208

Center-Line Length	Max Beam Width	Outboard #	I/O #
18' 5" - 19' 4"	94"	75109	75209
19' 5" - 20' 4"	96"	75110	75210

Offshore Fishing Boats

- Center consoles with heights up to 54"
- 6-18" bow rails
- Large open cockpits
- Sewn in motor hood
- Fits up to 250 hp
- For offshore fishing boats with T-tops, see center console with T-top covers

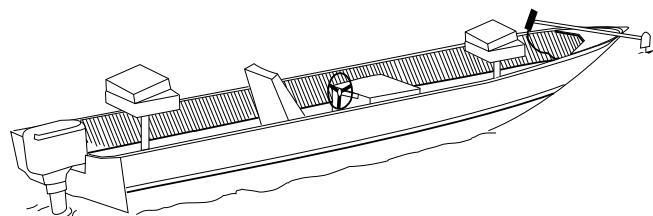


Center-Line Length	Max Beam Width	Outboard #	I/O #
16' 5" - 17' 4"	88"	85217	85317
17' 5" - 18' 4"	92"	85218	85318
18' 5" - 19' 4"	96"	85219	85319
19' 5" - 20' 4"	102"	85220	85320
20' 5" - 21' 4"	102"	85221	85321

Center-Line Length	Max Beam Width	Outboard #	I/O #
21' 5" - 22' 4"	102"	85222	85322
22' 5" - 23' 4"	102"	85223	85323
23' 5" - 24' 4"	102"	85224	85324
24' 5" - 25' 4"	102"	85225	85325
25' 5" - 26' 4"	102"	85226	85326

Aluminum V-Hull Fishing Boats

- Pedestal seats
- Low profile trolling motors
- Reinforced bow and transom corners
- Fits without windscreen
- With or without motor hood

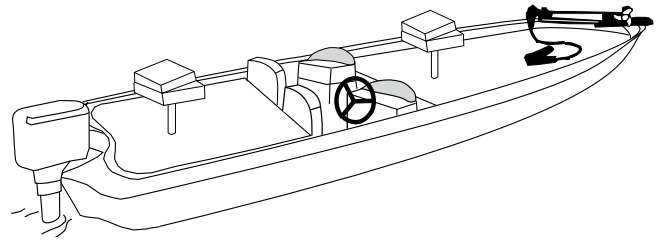


Center-Line Length	Max Beam Width	With Motor Hood #	Without Motor Hood #
11' 5" - 12' 4"	66"	87012	87112
12' 5" - 13' 4"	72"	87013	87113
13' 5" - 14' 4"	72"	87014	87114
14' 5" - 15' 4"	75"	87015	87115
15' 5" - 16' 4"	75"	87016	87116

Center-Line Length	Max Beam Width	With Motor Hood #	Without Motor Hood #
15' 10" - 16' 10"	82"	87019	87119
15' 10" - 16' 10"	87"	87020	87120
16' 5" - 17' 4"	85"	87017	87117
17' 5" - 18' 4"	85"	87018	87119
17' 5" - 18' 4"	91"	87021	87121

Angled Transom Bass Boats

- Wide transom bass boats with angled stern corners
- Small consoles with or without windscreens
- Accommodates folded pedestal seats
- Fits bow-mounted trolling motors
- Sewn in motor hoods

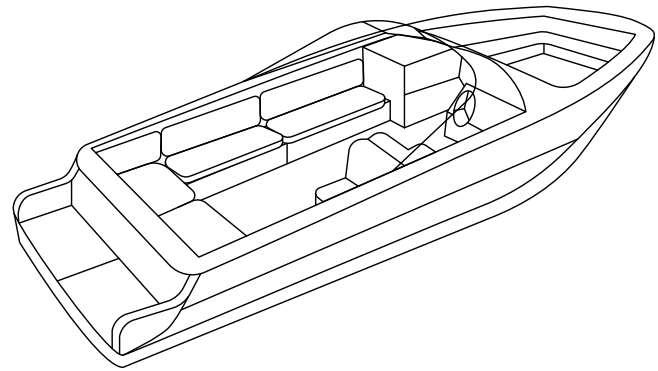


Center-Line Length	Max Beam Width	Outboard #
14' 5" - 15' 4"	91"	88100
15' 5" - 16' 4"	91"	88101
16' 5" - 17' 4"	91"	88102
17' 5" - 18' 4"	96"	88103

Center-Line Length	Max Beam Width	Outboard #
18' 5" - 19' 4"	96"	88104
19' 5" - 20' 4"	96"	88105
20' 5" - 21' 4"	96"	88106

Deck Boats

- Steering consoles with low or no windscreens and low profile full windshields
- Standard seating
- Fits both inboards & outboards
- Motor hoods sold separately

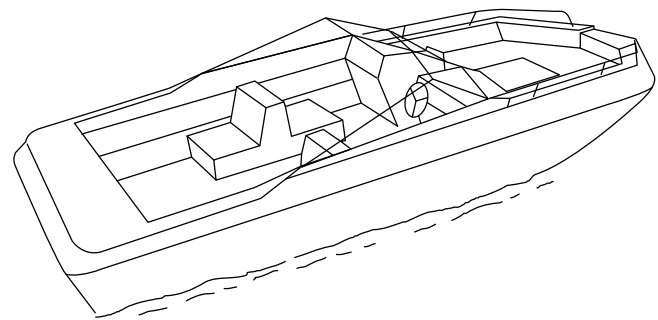


Center-Line Length	Max Beam Width	Full Cover #
16' 5" - 17' 4"	90"	77916
17' 5" - 18' 4"	102"	77917
18' 5" - 19' 4"	102"	77919
19' 5" - 20' 4"	102"	77920
20' 5" - 21' 4"	102"	77921
21' 5" - 22' 4"	102"	77922
22' 5" - 23' 4"	102"	77923
23' 5" - 24' 4"	102"	77924

Center-Line Length	Max Beam Width	Full Cover #
24' 5" - 25' 4"	102"	77925
25' 5" - 26' 4"	102"	77926
26' 5" - 27' 4"	102"	77927
27' 5" - 28' 4"	102"	77928

Tri-Hull Boats

- Fits most big 'V' wide bow tri-hulls
- Walk-thru windshields
- Bow rails under 6"
- Sewn in motor hoods on outboard models

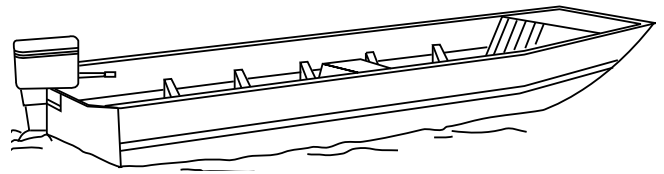


Center-Line Length	Max Beam Width	Outboard #	I/O #
13' 5" - 14' 4"	68"	73214	--
14' 5" - 15' 4"	75"	73215	73715
14' 5" - 15' 4"	84"	74215	--
15' 5" - 16' 4"	80"	73216	73716
15' 5" - 16' 4"	90"	74216	74716
16' 5" - 17' 4"	82"	73217	73717
16' 5" - 17' 4"	92"	74217	74717
17' 5" - 18' 4"	86"	73218	72718

Center-Line Length	Max Beam Width	Outboard #	I/O #
17' 5" - 18' 4"	96"	74218	74718
18' 5" - 19' 4"	90"	73219	73719
18' 5" - 19' 4"	102"	74219	74719
19' 5" - 20' 4"	96"	73220	73720
19' 5" - 20' 4"	102"	74220	74720

Jon Boats

- Bench seats
- Sewn in motor hoods
- Square or tapered bow



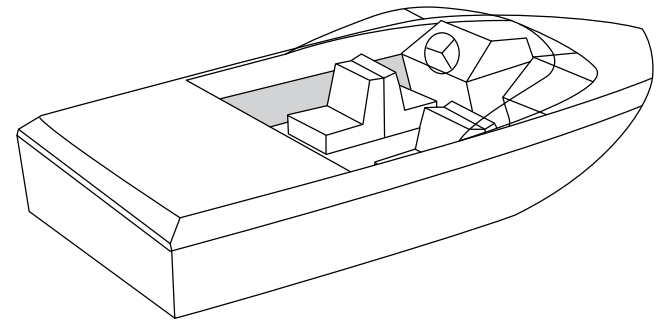
Center-Line Length	Max Beam Width	Outboard #
11' - 12'	48"	88006
11' - 12'	56"	88007
13' - 14'	61"	88008
13' - 14'	71"	88009
14' - 15'	60"	88005
14' - 15'	75"	88013

Center-Line Length	Max Beam Width	Outboard #
15' - 16'	67"	88010
15' - 16'	75"	88014
16' - 17'	82"	88011
17' - 18'	82"	88012
18' - 19'	84"	77966
19' - 20'	86"	77967

Modified Tri-Hull Boats

- Tri-hulls with one-piece windshields
- Accommodates bow rails
- Sewn in motor hood on outboard models

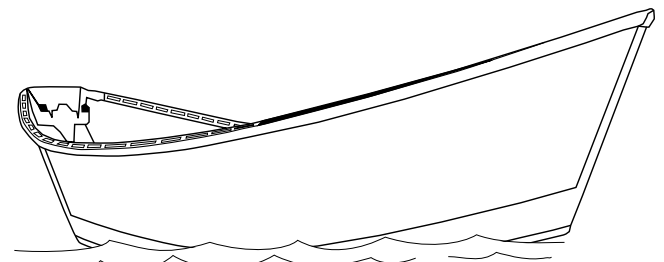
Center-Line Length	Max Beam Width	Outboard #	I/O #
14' 5" - 15' 4"	72"	75201	--
15' 5" - 16' 4"	82"	75202	75702
16' 5" - 17' 4"	84"	--	75703
16' 5" - 17' 4"	86"	75204	75704
17' 5" - 18' 4"	88"	75205	75705
17' 0"	82"	75206	75706



Drift Boats

- Will accommodate a stern mounted anchor system
- Reinforced bow and stern corners

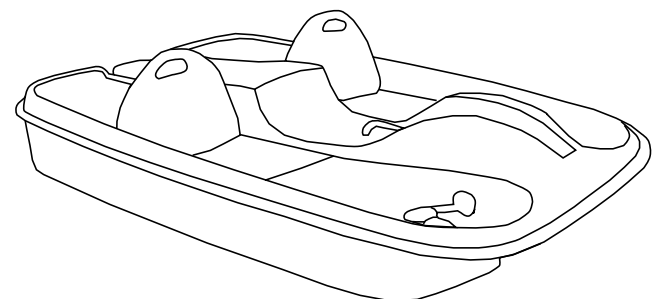
Center-Line Length	Max Beam Width	Part #
14' 5" - 15' 4"	84"	88112
15' 5" - 16' 4"	84"	88113
16' 5" - 17' 4"	84"	88114



Paddle Boats

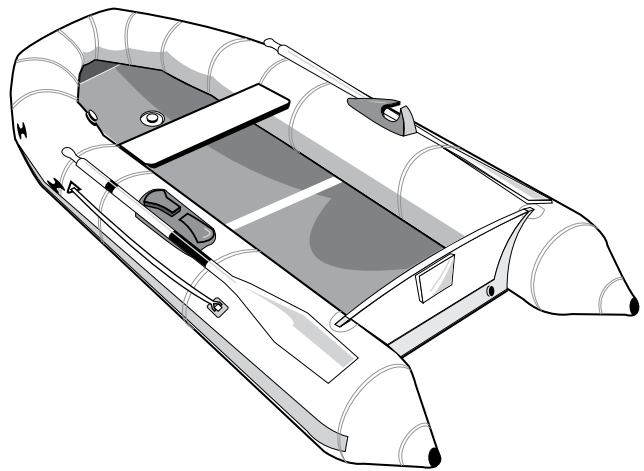
- For basic molded paddle boats without windshields, canopies or hard tops

Center-Line Length	Max Beam Width	Part #
Up to 7' 2"	61" (3 seater)	78214
Up to 7' 8"	65" (3 seater)	78215



Inflatable Sport Boats

- Designed for blunt bow, tapered or blunt pontoon inflatable sport boats
- Covers fit from end of pontoons to bow
- Accommodates low consoles without windscreens
- Does not fit over outboard motor



Accommodates outboards

- Covers fit from bow to end of pontoons up and over tilted outboard motor
- Designed for blunt bow, tapered pontoon inflatable sport boat
- Accommodates low consoles without windscreens

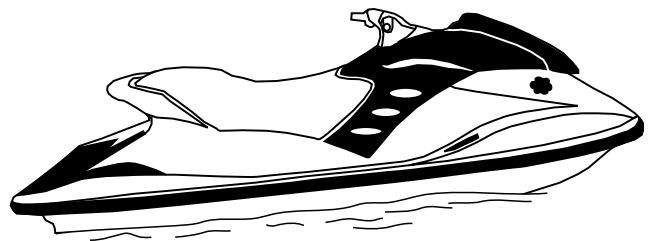
Center-Line Length	Max Beam Width	Standard Part #
Standard Covers		
7' 5" - 8' 4"	55"	70125
8' 5" - 9' 4"	55"	70126
9' 5" - 10' 4"	60"	70127
10' 5" - 11' 4"	66"	70128
11' 5" - 12' 4"	66"	70129
12' 5" - 13' 4"	70"	70130
13' 5" - 14' 4"	72"	70131
14' 5" - 15' 4"	76"	70132

Center-Line Length	Max Beam Width	Outboard #
Outboard Covers		
7' 5" - 8' 4"	60"	73000
8' 5" - 9' 4"	60"	73001
9' 5" - 10' 4"	66"	73002
10' 5" - 11' 4"	68"	73003
11' 5" - 12' 4"	70"	73004
12' 5" - 13' 4"	74"	73005
13' 5" - 14' 4"	74"	73006
14' 5" - 15' 4"	76"	73007
15' 5" - 16' 4"	76"	73008
16' 5" - 17' 4"	80"	73009
17' 5" - 18' 4"	80"	73010

Jet Ski / PWC

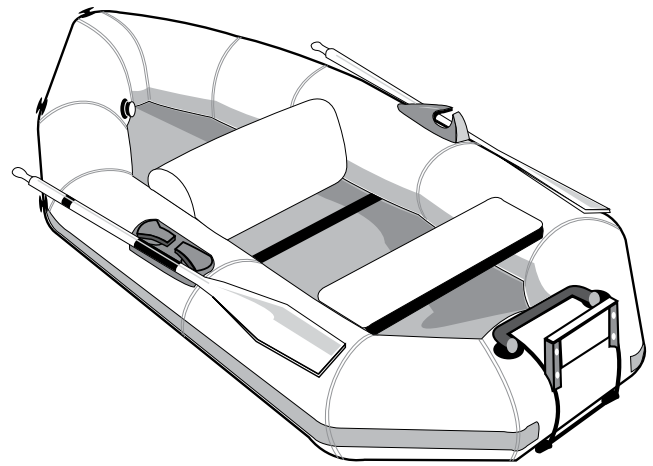
- Covers offer a more liberal fit, yet still trailerable
- Includes adjustable webbing strap to secure under hull

# of Seats	Year 2000 #	Year 2000 - 2010 #
2	70078	77963
3	70079	77964
4	70080	77965



Inflatable Dinghies

- Designed for pointed-bow, rounded-stern inflatable dinghies
- Covers fit from bow to end of stern
- Accommodates low consoles without windscreens
- Does not fit over outboard motors



Center-Line Length	Max Beam Width	Part #
7' 5" - 8' 4"	55"	70133
8' 5" - 9' 4"	55"	70134
9' 5" - 10' 4"	60"	70135

Center-Line Length	Max Beam Width	Part #
10' 5" - 11' 4"	66"	70136
11' 5" - 12' 4"	66"	70137

Pontoon Boats

- Patterned for pontoons with rails approximately 30" high
- Two styles available, full cover and playpen cover
- Motor hoods sold separately

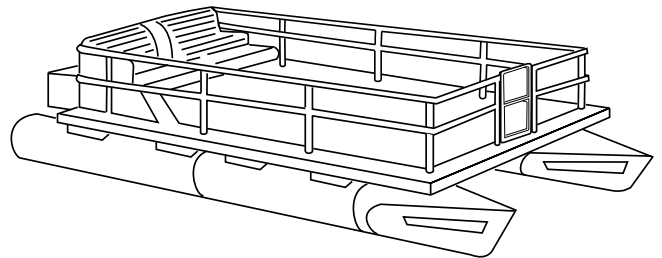
Full cover

- Fits over entire deck area with top down (includes deck area in front of gate)



Playpen cover

- Fits over fenced area only



Center-Line Length	Max Beam Width	Playpen Cover #	Full Cover #
15' 1" - 16' 0"	96"	88060	88051
15' 1" - 16' 0"	102"	26014	26001
16' 1" - 17' 0"	96"	88069	88054
16' 1" - 17' 0"	102"	26015	26002
17' 1" - 18' 0"	96"	88070	88055
17' 1" - 18' 0"	102"	26016	26003
18' 1" - 19' 0"	96"	88077	88056
18' 1" - 19' 0"	102"	26017	26004
19' 1" - 20' 0"	96"	88078	88052
19' 1" - 20' 0"	102"	26018	26005
20' 1" - 21' 0"	96"	88079	88057
20' 1" - 21' 0"	102"	26019	26006

Center-Line Length	Max Beam Width	Playpen Cover #	Full Cover #
21' 1" - 22' 0"	96"	88080	88058
21' 1" - 22' 0"	102"	26020	26007
22' 1" - 24' 0"	96"	88067	88053
22' 1" - 23' 0"	102"	26021	26008
23' 1" - 24' 0"	102"	26022	26009
24' 1" - 26' 0"	96"	88068	88059
24' 1" - 25' 0"	102"	26023	26010
25' 1" - 26' 0"	102"	26024	26011
26' 1" - 28' 0"	102"	--	88090
26' 1" - 27' 0"	102"	26025	26012
27' 1" - 28' 0"	102"	26026	26013

BOAT COVER ACCESSORIES



Bows

- Orange bows keep a boat cover taut and free from water-collecting pockets
- Can be mounted on any rail system
- Rubber gasket provides snug fit for fiberglass bows
- Made from flexible fiberglass and can be cut to desired length
- Will not take a set
- Includes rubber end covers to grab socket

Part #	Length	Width	Thickness
924	72"	1-1/4"	3/16"
925	54"	1-1/4"	3/16"
926	96"	1-1/4"	3/16"

Boat cover support system

- Extends the life of your boat cover by preventing water from pocketing
- Includes 50 feet of webbing, quick release buckles, a boat cover support pole and two hooks
- Support pole snaps to the webbing
- Hooks to attach to the transom

Part #	Includes
55741	Webbing (50'), buckles, support pole and two hooks



Die cast bow sockets

- Accepts any bow
- Chrome-plated

Part #	Includes
935	Two sockets

Boat cover support poles

- Fully adjustable aluminum support pole
- Three support poles in one
- Includes male canvas snap, grommet tip and plain end cap
- Durable plastic adjuster to set the correct height for your cover
- Also available in a three-piece pole to collapse down for easier storage



Part #	Style	Adjustment
11992	Super support pole	36" to 64"
11981	Three-piece support pole, snap and crutch tip only	22" to 51-1/2"
11991	Adjustable support pole, snap and crutch tip only	36" to 64"



11981



11992



11991

BOAT COVER ACCESSORIES



Boat cover support pole base pad

- Bottom pad made for EPDM to provide additional friction to hold pole in place against the deck
- Base pad swivel allows the pole to be positioned at just the right angle for your application
- Simple installation
- Sold individually (support pole sold separately)

Part #	Base Accepts	Fits
11976	7/8" diameter poles	11991 and 11992 support poles



Boat vent II

- Installs quickly and easily with no hardware
- Venting area provides for greater volume of exhaust air while closing the top to bottom gap to keep water out
- Made from a superior grade polycarbonate blend material for strength and UV-resistance

Part #	Accommodates
11982	3/4" or 7/8" support poles



Boat cover tie-down strap

- Holds even pressure on tie-down loops
- Simple and secure way to attach tie-down straps to boat cover
- Attaches to almost any boat cover
- Durable quick-release buckle
- UV-resistant polypropylene webbing
- Includes locking quick clip

Part #	Compatible With	Strap Length	Includes
55748	1" webbing loops	8'	Eight straps



Clinching ring pliers and rings

- Pliers designed to grip clinching rings 3/16" to 1/2" in diameter
- Spring-loaded handles to hold ring until clamped on
- Pliers are 6-7/8" long
- Rings made from stainless steel

Part #	Description	Quantity
1046	Clinching ring pliers	1
1044	Rings fit 3/16" - 5/16" cord	50
1045	Rings fit 3/8" - 1/2" cord	50

BOAT COVER ACCESSORIES



One-way snaps

- Push down on the spot to lock
- Lift up on the spot to release
- Specially designed for extra holding power
- Releases only in the direction of the spot

Part #	Style	Quantity
16401	Female fastener	4
116401	Female fastener	100
16402	Male fastener (wood screw)	Four
116402	Male fastener (wood screw)	4



Snap fasteners

- Standard snap-on and snap-off design

Part #	Style	Quantity
401	Female fastener	6
100401	Female fastener	100
402	Male fastener (wood screw)	4
100402	Male fastener (wood screw)	100
403	Male fastener (for cloth)	10
100403	Male fastener (for cloth)	100
404	Male fastener (machine screw)	4



E-Z™ grommet set

- Installs #2 size grommets with 3/8" hole
- Set contains hole punch, setting tool and 18 #2 brass grommets and washers

Part #	Style	Quantity
1365	E-Z grommet set	1
1231	#2 brass grommets and washers	12



Snap fastener installation tool

- Easy to use
- Includes instructions

Part #	Includes
1360	Die and setting tool

OUTBOARD MOTOR COVERS

- Keep your new outboard motor looking good and protect it against harmful environmental conditions
- Designed to fit newer cowl sizes and later model engines
- Measure your outboard to determine your cover size
- Cut to fit close for trailering
- Draw rope in the hem
- Available in grey Hot Shot™ fabric
- Other colors available as special order



Part #	Length	Width	Height
9261120G	16"	11"	11"
9261130G	15"	12"	24"
9261110G	19"	9"	12"
9261140G	19"	14"	27"
9262220G	20"	10"	14"
9263330G	22"	10"	17"

Part #	Length	Width	Height
9261150G	25"	17"	25"
9264440G	27"	14"	23"
9261160G	30"	18"	25"
9265550G	31"	23"	24"
9266660G	33"	25"	28"
9261170G	35"	17"	28"

TROLLING MOTOR PROP COVERS

- Extend the life of your boat cover by protecting it from wear and tear caused by sharp edges on your trolling motor prop
- Made from heavy-duty marine grade vinyl
- 1-year warranty

Fits these propellers and more

- Motor Guide Safari (2 Prop)
- Motor Guide Machete III (3 Prop)
- Motor Guide Power Prop (2 Prop)
- Minn Kota MKP-6 (2 Prop)
- Minn Kota MKP-7 (2 Prop)
- Minn Kota MKP-8 (2 Prop)
- Minn Kota MKP-24 (2 Prop)

Part #	Color	# of Blades	Prop Diameter
255	Red	2	12"
257	Black	2	12"
355	Red	3	10"
357	Black	3	10"



355 back



357 front



257 back



255 front



CUSTOM T-TOP BOAT COVERS

Durability to last a lifetime

Let's face it, cleaning your center console boat after a trip is hard enough without having to clean it again before going out. Not only does your custom T-top cover allow you to spend more time on the water, your investment is protected by a durable cover, custom-fit to your specific boat model. Whether in the sunny south or the snowy north, Taylor Made's customized covers protect your boat from harsh elements.

- Easy, one-person installation in just five minutes
- Lightweight design attaches under your T-top to and keep moisture from forming in your boat
- Webbing straps and adjustable clips for easy positioning and a secure fit on a wide range of frames
- T-top cover sandbags are recommended for boats on lifts or in dry-rack storage situations
- **For storage use only; do not use during travel**

Check out our online fit guide: www.ttopcoversforboats.com



Boat lifts



Dry stacks



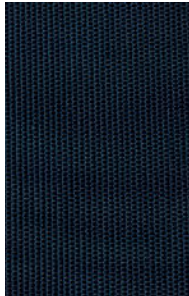
Jet docks

If you do not see your make / model or for any questions call or email us at:
1.800.628.5188 / boatcovers@taylormadeproducts.com

CUSTOM T-TOP BOAT COVER FABRIC OPTIONS

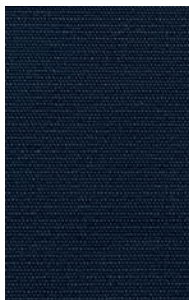
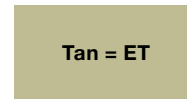
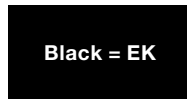
To order a custom T-top boat cover, use the part # that fits your make and model, with the proper color letter code below as the suffix.

For example: 660639EN = a Boston Whaler (230 Dauntless)
9 oz. Elite fabric T-top cover in navy



Elite fabric

Weight: 9 oz. per linear yard
100% polyester
5-year warranty



Weathermax fabric

Weight: 8 oz. per linear yard
100% polyester
5-year warranty



Ultima™ fabric

Weight: 7 oz. per linear yard
100% polyester
3-year warranty



Table Legend

Boat Style / Type		Motor# / Size		Bow Rails		Bow Options		Aft Options		Top Style	
SC	Side-console	S	Single	L	Low	BR	Bow roller	N	None	H	Hard
CC	Center-console	T	Twins	H	High	P	Pulpit	SP	Swim platform	S	Soft
DC	Dual-console	3	Triple	WT	Walk-through	AP	Anchor pulpit	JP#	Jack plate # (in)	KW	Key West style
WA	Walk around	4	Quad			TH	Thru-hull	TB	Ski-tow bar	AS	Aft support
CA	Catamaran					TM	Trolling motor	PO#	Poling platform # (in)	NA	N/A
								B	Bracket		
								PP	Power pole		
								OTA	Arch		

CUSTOM T-TOP BOAT COVER ACCESSORIES



Sandbags

- Used to weight down the cover
- Easy to connect to the cover if you are on a lift or in a dry stack
- Includes a life jacket buckle connector strap

Black #	Navy #	Qty	Weight
219UK	219UN	1 bag	8 lbs.



Storage bags

- Keeps your cover clean when not in use
- Available in two sizes

Black #	Navy #	Size	Covers
719UK	719UN	Large	Up to 28"
819UK	819UN	Extra large	Over 28"



Tie-down straps

- Includes a life jacket buckle connector strap
- Easy installation from the cover to the trailer

Black #	Length	Width	Quantity
519	10'	1"	9 straps

CUSTOM T-TOP BOAT COVERS

Part #	Description
60650	Bstn Whalr 25(Outrge)CC T L BR N NA00-15
60639	Bstn Whlr 230(Dntls)CC S WT N NNA 00-15
60653	Bstn Whlr 270(Outrge)CC T L BR N NA 00-15
60655	Bstn Whlr 320(Outrge)CC T L TH N NA 00-15
61785	Carolina Skiff 198 CC SLN N NA
61786	Carolina Skiff 218 CC S L N N NA 00-15
60670	Century 2200 CC S L AP N NA 90-15
60671	Century 2300 CC S H AP N NA 90-15
60672	Century 2301 CC S L BR N NA 90-15
60673	Century 2400 CC T L AP N NA 90-15
60684	Cobia 201 CC S L N N NA 00-15
63777	Cobia 217 CC S L N N NA 00-15
60690	Cobia 237 CC S L BR N NA 00-15
61788	Contender 23(Open) CC S L N B NA 90-15
61789	Contender 23(Tourn) CC T L N B NA 00-15
61791	Edgewater 205 CC S L N N NA
63861	Edgewater 208 CC S(Y200) L BR N NA 00-15
61792	Edgewater 228 CC S L N N NA 00-15
61884	Edgewater 245 CC T L BR N NA 00-15
61887	Edgewater 265 CC T L BR N NA 00-15
61889	Edgewater 318 CC T L BR N NA 00-15
61793	Everglades 210 CC S L BR N NA 00-15
61894	Everglades 223 CC S L N N NA 00-15
61795	Everglades 243 CC SLN N NA 09-14
63679	Everglades 243 CC S L N N NA 06-08
61897	Everglades 260 CC T L BR N NA 00-15
61900	Everglades 290 CC T L BR N NA 00-15
61903	Everglades 355 CC 3 L TH N NA 00-15
61913	Glacier Bay 2260 CA T L BR N NA 00-15
61914	Glacier Bay 2665 CA T L BR N NA 00-15
61796	Grady White 180 CC S L N N NA 90-15
61797	Grady White 209 CC S(y150) L N N NA 90-1
61917	Grady White 222 CC S L N N NA 90-15
61927	Grady White 257 CC T H AP N NA 00-04
61928	Grady White 257 CC T L BR N NA 05-15
61929	Grady White 257 CC T L N N NA 05-15
61931	Grady White 263 CC T H AP N NA 90-15
61935	Grady White 275 CC T L BR N NA 90-15
61940	Grady White 306 CC T L TH N NA 90-15
63903	Grady White 307 DC T(Y300) L TH N H
61942	Grady White 376 CC 3 L TH N NA 00-15
61949	Hydrasport 2500 CC T L N N NA 00-15
61952	Hydrasport 3000 CC T L BR N NA 00-15
61955	Hydrasport 3300 CC 3 L BR N NA 00-15
61959	Hydrasport 3400 CC 3 L BR N NA 00-15
63787	Hydrasport2800 CC T(Y250) L N N NA 00-15
61979	Key West 2020 CC S H AP N NA 00-15
61800	Key West 203 CC S L N N NA 00-1
61801	Key West 210 (BR) CC S L N N NA 00-15

Part #	Description
61982	Key West 216 CC S L TM N NA 00-15
61803	Key West 219 (FS) CC SLN N NA
61983	Key West 2220 CC S H AP N NA 00-15
61804	Key West 239 (FS) CC S SLN N NA
61849	Key West 239 (FS) CC S L BR N NA
63934	Key West 239 (FS) CC S L N StarPP NA
64155	Key West 239 (FS)CCS(V350) L BR TB NA
63900	Key West 216 CC SLN STARPP NA
62618	Mako 212 CC S H N N NA 00-15
62619	Mako 212 CC S L N N NA 00-15
61843	Mako 234 CC T L BR N NA 00-15
64156	Mako 264 CC T L BR N NA 00-15
62624	Nautic Star 2000 CC S L N N NA 00-15
61805	Nautic Star 2200(XS) CC S L N N NA 00-15
62626	Nautic Star 2500 CC T L N N NA 00-15
62625	NauticStar 2102(Igcy)CC S L N N NA 00-15
62638	Parker CC 2300(SE) S L N N NA 00-15
62639	Parker CC 2501 T L N N NA 00-15
63728	Pathfinder 2200 CC S L N N NA 00-15
62645	Pathfinder 2400(TRS) CC S L N JP6 NA
63821	Pathfinder2400(TRS)CCSLN(JP6-StarPP)NA
61809	Pioneer 197 CC S L N N NA 00-15
61810	Pioneer 222 CC S L N N NA 00-15
62659	Proline 23(Sport) CC S L BR N NA 00-15
62661	Proline 23(Sport) CC S L N N NA 00-15
62681	Robalo 200(R) CC S L N N NA 00-15
62682	Robalo 220(R) CC S L N N NA 00-15
64205	Robalo 222 CC S(Y200 LNNNA(outriggersupp)
62683	Robalo 222(R) CC S L N N NA 00-15
62685	Robalo 242(R) CC T L BR N NA 00-15
62686	Robalo 246(Cayman) CC S L N N NA 00-15
62688	Sailfish 206 CC S L N N NA 00-15
62689	Sailfish 218 CC S L N N NA 00-15
62692	Sailfish 2360 CC S L N N NA 00-15
62693	Sailfish 2360 CC T L N N NA 00-15
62695	Sailfish 2380 CC S L N N NA 00-15
62699	Sailfish 2660 CC T L BR N NA 00-15
62709	Sailfish 29 CC T L N N NA 00-15
61813	Scout 210(XSF) CC S L N N NA 00-15
61814	Scout 225(XSF) CC S L N N NA 00-15
62723	Scout 235 CC S L N N NA 00-15
62734	Scout 262 CC T L N N NA 00-15
62736	Scout 275(LXF) CC T L AP N NA 00-15
62738	Scout 345 CC T L BR N NA 00-15
62830	Sea Craft 23 CC S L N N NA 90-15
62832	Sea Craft 25 CC T L N N NA 90-15
61850	Sea Fox 216 CC S L N N NA 00-15
61817	Sea Fox 220(XT) CC S L N N NA 00-15
62846	Sea Fox 226 CC S L N N H 00-15

Part #	Description
62847	Sea Fox 230 CC S H AP N NA 00-15
63865	Sea Fox 246 CC S L BR N NA 00-15
62860	Sea Fox 249 CC S L N N NA 00-15
62863	Sea Fox 256 CC S L BR N H 09-15
62875	Sea Fox 266 CC T L TH N NA 00-15
62879	Sea Hunt 186 CC S L N N NA 00-15
63771	Sea Hunt 207 CC S L N N NA 00-16
62893	Sea Hunt 210 CC S L N N NA 00-15
61818	Sea Hunt 211(Ultra) CC S L N N NA 00-15
62894	Sea Hunt 212 CC S L N N NA 00-15
63813	Sea Hunt 22(BXBR) CC S L N StarPP H15-15
63741	Sea Hunt 22(BXBR) CC S L TM N H 00-15
63747	Sea Hunt 22(BXBR) CC S L TM N S 00-15
62898	Sea Hunt 225 CC S L N N NA 00-15
63614	Sea Hunt 232 CC S L N N NA 00-15
63967	Sea Hunt 234(Ultra) CC S L BR N NA
63772	Sea Hunt 234(Ultra) CC S L N N NA 00-15
63776	Sea Hunt 235 CC S L N N NA 00-15
63620	Sea Hunt 25 CC T L N N NA 00-15
63623	Sea Hunt 27 CC T L BR N NA 00-15
63755	Sea Hunt 27 CC T(Y150) L TH N NA 00-15
63625	Sea Hunt 30 CC T L TH N NA 00-15
63632	Sea Pro 190 CC S H N N NA 90-15
63631	Sea Pro 1900(SV) CC S L N N NA 00-15
63633	Sea Pro 206 CC S L N N NA 00-15
63645	Sea Pro 238 CC S L N N NA 00-15
61820	Sportsman 211 CC S L N N NA 00-15
63662	Sportsman 212 CC S L N N NA 00-15
61822	Sportsman 229 CC SLN N NA 00-15
63670	Sportsman 232 CC S L N N NA 00-15
63676	Sportsman 251 CC T L TH N NA 00-15
61824	Tidewater 210(LXF) CC S L BR N NA 00-15
63751	Tidewater 210(LXF) CC S L N N NA 00-15
63680	Tidewater 216 CC S L N N NA 00-15
61852	Tidewater 220 CC S L N N NA 00-15
61825	Tidewater 230 CC S L BR N NA 00-15
61848	Tidewater 230 CC SLN N NA
63685	Tidewater 250 CC T L N N NA 00-15
63890	Tidewater 252 CC T(Y150) L TH N NA 00-16
63702	Triumph 210 CC S H BR wN NA 00-15
61828	Trophy 2103 CC S L BR N NA 00-15
61826	Trophy 1903 CC S H N N NA 90-15
61827	Trophy 1903 CC S L N N NA 90-15
63952	Yellowfin 32 CC T(v350) L N N AS
63718	Yellowfin 36 CC 3 L N N NA 90-15

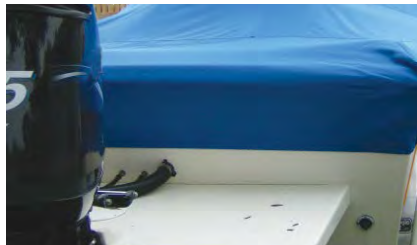
SEMI-CUSTOM T-TOP BOAT COVERS

T-top boat covers for boats with fixed t-tops

- Bow and stern sections zip together; for single person installation
- Console tube secures up underneath the T-top, protects the center console and will accommodate most sizes and locations of tops and consoles on boats up to 25' 4"
- Tie-down system included, this system relieves stress on the zippered ends during over-the-road trailering



Dual cut out patterns for boats with side by side mount dual outboards - cut out opening in stern section is 50"



No cut out patterns for boats with sea mount style engine bracket - no cut out in stern section



Also available in a no-bow rails version

How to order your cover

To order your T-top boat cover in Hot Shot™ fabric, locate the correct part # from the following table. Once you have your base # you will add the letter 'O' as a suffix, followed by the desired color code letter from the swatches below.

For example: 742000OT = Hot Shot™ in Teal.



High Rails #	No Cutout #	Dual Cutout #	Center-line Length	Max Beam Width
Boats With Rails				
74200	74337	74338	17' 5" to 18' 4"	102"
74201	74339	74340	18' 5" to 19' 4"	102"
74202	74341	74342	19' 5" to 20' 4"	102"
74203	74343	74344	20' 5" to 21' 4"	102"
74204	74345	74346	21' 5" to 22' 4"	102"
74205	74347	74348	22' 5" to 23' 4"	102"
74206	74349	74350	23' 5" to 24' 4"	102"
74207	74351	74352	24' 5" to 25' 4"	102"
74208	74353	74354	25' 5" to 26' 4"	102"

High Rails #	No Cutout #	Dual Cutout #	Center-line Length	Max Beam Width
Boats Without Rails				
74300	74319	74338	17' 5" to 18' 4"	102"
74301	74321	74320	18' 5" to 19' 4"	102"
74302	74323	74322	19' 5" to 20' 4"	102"
74303	74325	74324	20' 5" to 21' 4"	102"
74304	74327	74326	21' 5" to 22' 4"	102"
74305	74329	74328	22' 5" to 23' 4"	102"
74306	74331	74330	23' 5" to 24' 4"	102"
74307	74333	74334	24' 5" to 25' 4"	102"
74318	74335	74336	25' 5" to 26' 4"	102"

UNIVERSAL T-TOP CENTER CONSOLE COVERS

- Secures to the underside of the fixed T-top structure
- Will enclose any size console, helm seat and T-top support combination with a maximum base perimeter of 18' or less at the deck
- Adjustable straps allow the cover to conform to most console configurations
- Boats with smaller consoles and T-tops can also cover and protect the helm seats
- Heavy-duty marine grade zipper allows easy installation

Blue #	Grey #	Width	Length	Height
678520B	678520G	48"	60"	66"



T-TOP BOAT SHADE KIT

- Economical and versatile way to add shade to the rear of your center console or walkaround boat
- Made with lightweight 'Resilience' fabric
- Resilience protects against harmful UV rays while reflecting up to 98% of UV-rays
- Fabric elasticity allows it to fit many size boats, which gives it a custom fit appearance
- Extremely breathable and whisper quiet while underway so it can handle speeds up to 30 knots
- Installs within minutes
- Kit includes necessary poles and stores easily in it's own bag
- 1-year fabric warranty

Part #	Width	Length	Stretches To	Color
12015	5'	4'	7' x 6'	Black
12016	5'	5'	7' x 7'	Black
12017	5'	6'	7' x 8'	Black

For boats with a beam width of less than 10' 6".
 Note: If you want to use the shade on the bow, you need to order the next size up.



T-TOP BOW SHADE

- Quick and easy way to gain additional shaded area on your center console boat with a T-top installed
- Constructed from Hot Shot™ marine-grade polyester fabric to be lightweight
- Secures to the T-top and bow rails with adjustable straps and quick release buckles
- Folds down for compact storage



Shade Size	6' (L) x 7.5' (W)	7' (L) x 8.5' (W)
For Boat Size	17' to 21'	23' to 26'
Pacific Blue	120040B	120050B
Hunter Green	120040F	120050F
Grey	120040G	120050G
Navy	120040N	120050N
Black	120040R	120050R
Teal	120040T	120050T
Cranberry	120040Y	120050Y
Sand	120040S	120050S
White	120040W	120050W

ELECTRONICS BOX

- Fiberglass RTM molded design with a large interior for a variety of storage options
- Uniform wall and smooth interior for a clean finish
- Easy open front latch with weather protecting seals
- Lockable door for added security while under way



Part #	Width	Depth	Height
83558	27"	26"	10"



TRAILERITE® PRO SERIES COVERS

- Keeps boat interior temperatures up to 20° cooler
- Sewn into hem is 1" webbing with two stern ratchets in protective pockets to prevent gelcoat damage
- Reinforcements over single or dual consoles and over port mounted trolling motors
- Silver reflective, heavy-duty 600 denier marine-grade 100% polyester fabric
- Superior tensile and tear strength
- Extreme water repellency
- Stain, UV and mildew resistant



Reflective strips sewn to sides of stern



Integrated stern ratchets in hem are protected by pockets to prevent damage



Includes quick-release 2" wide belly straps to eliminate stress and prevent abrasion

Max Beam Width	Fits	Part #
75"	13' 5" - 14' 4"	88200HL
80"	14' 5" - 15' 4"	88201HL
70"	15' 5" - 16' 4"	88202HL
84"	15' 5" - 16' 4"	88203HL
88"	16' 5" - 17' 4"	88204HL

Max Beam Width	Fits	Part #
96"	17' 5" - 18' 4"	88205HL
96"	18' 5" - 19' 4"	88206HL
96"	19' 5" - 20' 4"	88207HL
96"	20' 5" - 21' 4"	88208HL
96"	21' 5" - 22' 4"	88209HL



PERFORMANCE DINGHY BOAT COVERS

NEW

- Made using durable, 6.25 oz. acrylic-coated polyester HotShot™ fabric
- Sewn-in pocket stretches over the boon for more protection
- 96" belly straps are sewn in
- Four-ply folder two needle seams and double-folded hems for added strength
- Pre-tensioned heavy-duty shock cord with adjustable hooks in the hem for a precise fit
- Easy-to-use and long-lasting



Pre-tensioned heavy-duty shock cord with adjustable hooks in the hem for a precise fit



Four-ply folder two needle seams and double-folded hems for added strength



Made using durable, 6.25 oz. acrylic-coated polyester HotShot™ fabric

Part #	Style
2021123165	No mast
2021123166	Hull cover
2021095961	Club 420 deck cover - mast down
2021123164	Club 420 deck cover - mast up institutional
2021095963	Club 420 hull cover
2021123167	Sunfish deck cover
2021123168	Deck cover - mast up boom pocket
2021123169	Sunfish hull cover
2021123170	Optimist deck cover



PERSONAL WATERCRAFT CUSTOM COVERS

- Form-fitting covers offer year-round protection for your jet ski
- Made using durable, 6.25 oz. acrylic-coated polyester HotShot™ fabric
- Custom-fit design will not wind-whip while trailering
- Available for most makes and models of Kawasaki, Yamaha, SeaDoo, Polaris and Tigershark
- All model colors are dual-colored grey and white
- Shock cord in hem for a close fit
- Heavy-duty sewing construction
- 5-year limited warranty



Make / Model	Years	Part #
Kawasaki		
750 STX/900 STX	1998	70420
1100 STX	1997-1999	70421
900 STX	1999-2000	70421
ST/STS	1995-1997	70422
SPORT	1996-1999	70423
SS/SXi	1992-1995	70423
750 ZXI	1995-1998	70424
900 ZXI/1100 ZXI	1996-2003	70424
650 SX	1994-1996	70443
650 TS	1994-1996	70444
750 SX/SXi	1996	70445
750/SXi Pro	1998-2002	70445
Ultra 130	1999-2001	70446
Ultra 150	1999-2003	70446
1100 STX DI	2000-2003	70459
440/550/3308	1994-1996	70461
SeaDoo		
RX	2000-2003	70425
GT	1991	70426
GTS	1993-2000	70426
GTX	1993-1995	70426
GTI	1996	70426
GTI	1997-2000	70427
GTX	1997-2002	70427
XP/XP LTD	1997-2003	70428
XP/XP 800	1993-1996	70429
SPX	1997-1999	70429
SPX	THRU 1996	70430
SP/SPI	1993-1999	70430
GS/GSI/GSX	1996-2001	70431
GTi/GTS	2001-2004	70449
GTX 4-Tec/GTX Di	2002-2006	70450
GTi LE RFI	2003-2005	70460
GTX	2006	70462
RXP	2004-2006	70463
RXT GTX LTD	2005-2006	70464

Make / Model	Years	Part #
Yamaha		
XL 700	2000-2001	70432
XL 760	1998-1999	70432
XL 1200	1998	70432
XL 800	2000-2001	70433
XL 1200	1999-2001	70433
GP 1200/GP 700	1997-1999	70434
GP 800R/GP 760	1998-2000	70434
GP 800R	2001-2003	70435
GP 1200 R	2000-2002	70435
Venture 1100/760	THRU 1997	70436
Raider 700/760/1100	THRU 1997	70437
Runner LX/VXR/Pro VXR	THRU 1996	70438
Super Jet	THRU 2004	70455
WavRunner III/III GP	THRU 1997	70456
Wave Blaster II	THRU 1997	70457
SUV 1200	1999-2004	70458
GP 1300	2004-2006	70466
FX Cruiser	2006	70467
FX HO	2004-2006	70468
VX/VX 110 Sport/DLX	2004-2006	70469
Polaris		
SLT	1995-1998	70439
Virage	2000-2001	70440
SL	THRU 1997	70441
Genesis	1999-2004	70447
SL	1998-2002	70448
Tiger Shark		
900	THRU 1995	70442
Monte Carlo 900	THRU 1997	70442
Montego Deluxe	1996-1997	70451
Montego/Daytona	THRU 1996	70451
TS	1998-1999	70452
TSL	1998-1999	70453
TSR	1999	70454



CUSTOM INFLATABLE BOAT COVERS

- Form-fitting covers offer year-round protection for your inflatable boat
- Made using durable, 6.25 oz. acrylic-coated polyester HotShot™ fabric
- Custom-fit design will not wind-whip while trailering
- Fits over small consoles and attached outboard motor
- Available for most makes and models
- Includes rope with patented rope lock sewn in hem to ensure a snug fit
- Heavy-duty sewing construction with reinforcement patches in the cover for extra protection
- 5-year limited warranty



How to order your cover

To order your inflatable boat cover in Hot Shot™ fabric, locate the correct part # from the following table. Once you have your base # you will add the letter 'O' as a suffix, followed by the desired color code letter from the swatches below.

For example: 742000OT = Hot Shot™ in Teal.



CUSTOM INFLATABLE BOAT COVERS

Make / Model	Style	Years	Part #
AB Nautilus			
14 DLX INF	SC over OB motor	13 - 14	61740
Oceanus 13 VST Sport	SC over OB	13 - 13	61741
10 VST (4 Person)	SC over OB	13 - 13	61745
12 DLX Sport INF	SC over OB	13 - 13	61739
13 VST Sport	SC over OB	13 - 14	61774
12 DLX	SC over OB	13 - 14	61775
Navigo 10 VSX	SC over OB	13 - 14	61776
Achilles			
315 DX	RSC over OB	08 - 13	61400
315 LX/DX	Does not cover OB	08 - 13	61409
315 LX/DX O/B	Over OB	08 - 10	61411
315	RSC over OB	09 - 09	61375
350 DX	SC over OB	10 - 10	61401
315 DX	RSC over OB	06 - 06	68094
Avon			
215 RIB	No option	09 - 10	61408
450 Adventurer	Center console OB	08 - 08	63508
320 Sea Sport DL	Side console jet	05 - 05	63351
280 Rover	RSC over OB	06 - 06	68097
310 Rover	RSC over OB	06 - 06	68098
Novurania			
460 DL	RSC over OB bow rails	08 - 12	63509
430 DL	RSC over OB	05 - 12	68076
400 DL	RSC over OB	05 - 13	68080
335 DL	RSC over OB	06 - 06	68091
360 DL	RSC over OB	06 - 13	68092
Zodiac			
340 DL O/B	No option	98 - 02	63300
340 DLRSC	Over OB	03 - 06	68086
380 DL	RSC	04 - 06	68087
MK2C HD Futura	No motor	08 - 10	61403
MK2C FR Futura	No motor	08 - 10	61405
Pro 12 / Pro 550	Center console OB	09 - 13	61396
Pro 9 Man / 500	Center console OB	09 - 13	61398
Pro 7 / Pro 420	Center console OB	09 - 13	61399
YL 340	RSC over OB	09 - 13	61402
YL 380 DL	RSC over OB	09 - 13	61406
YL 310 R	No motor	08 - 08	63505
YL 310 R	Over OB	08 - 08	63506

Make / Model	Style	Years	Part #
Zodiac (contineud)			
Pro 600 RSC	Over OB	08 - 08	63514
650 Pro-Open	Over fixed T-top BR OB	08 - 08	63523
C 285 FR ACTI-V	No motor	09 - 09	61412
650 15 / Man	Center console OB	10 - 13	61397
Coach Pro	Center console OB	10 - 10	61407
Bay Runner	RSC over OB	10 - 10	61413
HP 310 / Rib 310	None	02 - 02	62412
HP 340	None	02 - 02	62413
RU 200	None	02 - 02	62416
260	None	02 - 02	62417
380 DI Yachtline	Over OB	03 - 03	63302
340 Rover	Over OB	03 - 03	63303
7-Man	RSC over OB	03 - 03	68088
310 R Right Cnl O/B	RSC over OB	04 - 04	68081
650 Pro Open	RSC BR OB	06 - 06	68075
420 DL Yacht Line	RSC over OB	06 - 13	68082
480 DL Yacht Line	RSC over OB	06 - 06	68083
260 LR/FR/S Cadet	RSC over OB	06 - 06	68084
260 LR/FR/S Cadet	RSC over OB	06 - 06	68085
9-Man	RSC over OB	06 - 06	68089
12-Man	RSC over OB	06 - 06	68090
530 DL Yacht Line	RSC over OB	10 - 10	61492
Bay Runner 500	RSC over OB	13 - 13	61743
Bay Runner 310	RSC over OB	13 - 13	61760
Pro Touring 550	No option	13 - 14	61750
Pro 500 Touring	No option	13 - 14	61744
Bay Runner 340	RSC over OB	03 - 14	61758
Medline 540	RSC over OB	13 - 14	61759
Pro Chase 550	With jockey seat	13 - 13	61757
Sea Rider RIB with water blast	No option	13 - 13	61748
YL 470 DL	Over OB	13 - 14	61761
Medline 500	RSC over OB	12 - 14	61763
Rec Pro 550	RSC over OB	12 - 14	61764
Medline 580	RSC over OB	12 - 14	61765
550 Pro Open	RSC over OB	13 - 14	61766
Bay Runner 400	No option	13 - 14	61770
YL 470 DL	No option	10 - 14	61778

DECK CHAIR COVERS

- Made from heavy-duty materials
- Protect your chairs from cracking and fading
- Covers fold easily for storage
- Keeps seats cool and clean

Part #	Material	Color	Height	Width	Depth
40235	Heavy-duty vinyl	White	29"	26"	29-1/2"
80235	Ripstop polyester	Blue	29"	26"	29-1/2"



RUBBER CHAIR TIPS

- Non-marking rubber tips are great for use on deck chairs, boarding ladders and boat hooks
- Includes four tips per package

Part #	Fits
96024	7/8" tubing
96025	1" tubing
96026	1-1/8" tubing



BOAT SEATS & CONSOLE COVERS

- Keep your seats and consoles from cracking and fading
- Designed to protect your seats and electronics from damaging UV rays, wind, mildew and water
- Available in heavy-duty, white vinyl or 600 denier Ripstop polyester with a polyurethane coating
- All our covers fold easily for storage and keep your seats cool and clean



Description	Height	Width	Depth	Material	White #	Material	Navy #
Back to back lounge seat	22"	50"	22"	Vinyl	40210	Ripstop polyester	80210
Folding pedestal	14"	18"	20"	Vinyl	40220	Ripstop polyester	80220
Helm/bucket/fixed back	24"	24"	22"	Vinyl	40230	Ripstop polyester	80230
Small swingback seats	36"	36"	20"	Vinyl	40240	Ripstop polyester	80240
Large swingback seats	36"	40"	20"	Vinyl	40245	Ripstop polyester	80245
Small center console	42"	36"	24"	Vinyl	40400	Ripstop polyester	80400
Medium center console	44"	40"	30"	Vinyl	40410	Ripstop polyester	80410
Large center console	45"	46"	40"	Vinyl	40420	Ripstop polyester	80420
Back to back lounge seat	18"	20"	40"	Terry cloth	11994	Terry cloth	11997



Taylor[®] Made[®]
made in USA • 100% nylon

BOATING FLAGS & PENNANTS



FEATURED PRODUCTS



| KW-Series Flagpole Mount

Our flagpole mount makes it easy to hang your favorite flag proudly and safely with minimal installation. Fly your flag proudly.



| Nylon Flags

Our flags are constructed from a tough nylon that withstands the marine elements while the sewn-in brass grommets offer a secure fit.



| Teak Flag Poles

Our teak flag poles are made from the finest grade-A, kiln-dried teakwood to resist the stresses of the marine elements.

PRODUCT INDEX



148

Nylon Flags & Ensigns



149

Deluxe Sewn Flags & Ensigns



150

Nautical Flags



152

U.S. State & Territory Flags



154

International & Courtesy Flags



157

Signal Flags & Pennant Sets



160

Fisherman's Catch Flags



163

Flag Poles



165

Flag Clips



166

KW-Series Flagpole Mount



167

Rail Mount Sockets



NYLON FLAGS & ENSIGNS

- Lightweight and durable fade-resistant 200-denier nylon fabric withstands the harsh marine elements
- Two brass grommets are sewn in the flag's reinforced heading for secure attachment
- Nylon material easily catches the wind allowing you to proudly show off your flag
- Two-sided, water repellent, screen-printed design



2418

Part #	Description	Height	Width
2418	U.S. 50 Star Flag	12"	18"
2424	U.S. 50 Star Flag	16"	24"
1118	U.S. Yacht Ensign	12"	18"



WIND SOCK

- Made from fade resistant nylon with individually sewn tassels
- Durable and lightweight
- Includes individual swivel for tangle-free operation



93244

Part #	Description	Height	Diameter
93244	Stars and Stripes Windsock	48"	5"



DELUXE SEWN FLAGS & ENSIGNS

The U.S. Yacht Ensign is an alternative to the traditional 50-star national flag that is carried onboard pleasure boats. Quality made, proudly hang these flags from your boat. Any U.S.-owned boat can fly the U.S. Yacht Ensign & U.S. 50 Star Flag.

The United States Power Squadrons, founded in 1914, is a non-profit educational organization whose mission is to improve maritime safety and enjoyability through classes in seamanship, navigation and other related subjects. They have approximately 45,000 members representing 450 squadrons throughout the USA. Only members can fly this ensign.

- Our sewn flags are constructed from a tough nylon that withstands the marine elements
- The individually sewn stripes and embroidered stars make this the perfect boat flag
- Sewn-in grommets are easy to secure to a flagpole



8118



8218



Our sewn flags are made with a lightweight and durable fade-resistant nylon fabric that stands up to the harsh marine elements



Two brass grommets are sewn in the flag's reinforced heading for a secure attachment to your boat



These boat flags are quality crafted, starting with the individual double-stitched stripes

Part #	Description	Height	Width
Ensigns			
8218*	U.S. Power Squadron Ensign	12"	18"
8224*	U.S. Power Squadron Ensign	16"	24"
8118	U.S. Yacht Ensign	12"	18"
8124	U.S. Yacht Ensign	16"	24"
8130	U.S. Yacht Ensign	20"	30"
8136	U.S. Yacht Ensign	24"	36"
8148	U.S. Yacht Ensign	30"	48"
8160	U.S. Yacht Ensign	36"	60"

*Boat must be commanded by an active member of USPS to fly

Part #	Description	Height	Width
Flags			
8418	U.S. 50 Star Flag	12"	18"
8424	U.S. 50 Star Flag	16"	24"
8430	U.S. 50 Star Flag	20"	30"
8436	U.S. 50 Star Flag	24"	36"
8448	U.S. 50 Star Flag	30"	48"
8460	U.S. 50 Star Flag	36"	60"
8472	U.S. 50 Star Flag	48"	72"
8496	U.S. 50 Star Flag	60"	96"



NAUTICAL FLAGS

- Nylon officer flags are nylon with embroidered or applique symbols
- Two-sided, water repellent, screen-printed design
- Constructed from a tough 200-denier nylon
- Sewn-in brass grommets offer a secure fit when hanging from your boat



93076 Commodore



93079 Fleet Captain



93082 Past Commodore



93155 Port Captain



93078 Rear Commodore



93081 Secretary



93080 Treasurer



93077 Vice-Commodore



1617 Don't Tread on Me



1618 U.S. Air Force Wings



1619 U.S. Navy Seal



1620 Army Strong



5620 Army Flag



5621 Navy Flag



5622 Air Force Flag



5623 Marines Flag



5624 POW/MIA Flag



5626 U.S. Coast Guard



5627 Army National Guard

Part #	Description	Height	Width
Military Flags			
5622	Air Force	12"	18"
5620	Army	12"	18"
5627	Army National Guard	12"	18"
1620	Army Strong	12"	18"
1617	Don't Tread On Me	12"	18"
5623	Marine	12"	18"
5621	Navy	12"	18"
5624	POW MIA	12"	18"
1618	U.S. Air Force Wings	12"	18"
5626	U.S. Coast Guard	12"	18"
1619	U.S. Navy Seal	12"	18"

Part #	Description	Height	Width
Officer Flags			
93076	Commodore	12"	18"
93079	Fleet Captain	12"	18"
93082	Past Commodore	12"	18"
93155	Port Captain	12"	18"
93078	Rear Commodore	12"	18"
93081	Secretary	12"	18"
93080	Treasurer	12"	18"
93077	Vice Commodore	12"	18"





U.S. STATE & TERRITORY FLAGS

- Single-sided, water repellent, screen-printed design
- Constructed from a tough 200-denier nylon
- Sewn-in brass grommets offer a secure fit when hanging from your boat



93089 Alabama



93137 Alaska



93090 Arizona



93091 Arkansas



93092 California



93093 Colorado



93094 Connecticut



93095 Delaware



93096 Florida



93097 Georgia



93138 Hawaii



93098 Idaho



93099 Illinois



93100 Indiana



93101 Iowa



93102 Kansas



93103 Kentucky



93104 Louisiana



93105 Maine



93106 Maryland



93107 Massachusetts



93108 Michigan



93109 Minnesota



93111 Missouri



93112 Montana



93113 Nebraska



93114 Nevada



93115 New Hampshire



93116 New Jersey



93117 New Mexico



93118 New York



93119 North Carolina



93120 North Dakota



93121 Ohio



93122 Oklahoma



93123 Oregon



93124 Pennsylvania



93125 Rhode Island



93126 South Carolina



93127 South Dakota



93128 Tennessee



93143 Texas



93130 Utah



93131 Vermont



93132 Virginia



93133 Washington



93134 West Virginia



93135 Wisconsin



93136 Wyoming



93086 District of Columbia



93219 Guam



93085 Puerto Rico



93084 U.S. Virgin Island

Part #	Description	Height	Width
U.S. State Flags			
93089	Alabama	12"	18"
93137	Alaska	12"	18"
93090	Arizona	12"	18"
93091	Arkansas	12"	18"
93092	California	12"	18"
93093	Colorado	12"	18"
93094	Connecticut	12"	18"
93095	Delaware	12"	18"
93096	Florida	12"	18"
93097	Georgia	12"	18"
93219	Guam	12"	18"
93138	Hawaii	12"	18"
93098	Idaho	12"	18"
93099	Illinois	12"	18"
93100	Indiana	12"	18"
93101	Iowa	12"	18"
93102	Kansas	12"	18"
93103	Kentucky	12"	18"
93104	Louisiana	12"	18"

Part #	Description	Height	Width
U.S. State Flags			
93105	Maine	12"	18"
93106	Maryland	12"	18"
93107	Massachusetts	12"	18"
93108	Michigan	12"	18"
93109	Minnesota	12"	18"
93110	Mississippi	12"	18"
93111	Missouri	12"	18"
93112	Montana	12"	18"
93113	Nebraska	12"	18"
93114	Nevada	12"	18"
93115	New Hampshire	12"	18"
93116	New Jersey	12"	18"
93117	New Mexico	12"	18"
93118	New York	12"	18"
93119	North Carolina	12"	18"
93120	North Dakota	12"	18"
93121	Ohio	12"	18"
93122	Oklahoma	12"	18"
93123	Oregon	12"	18"

Part #	Description	Height	Width
U.S. State Flags			
93124	Pennsylvania	12"	18"
93125	Rhode Island	12"	18"
93126	South Carolina	12"	18"
93127	South Dakota	12"	18"
93128	Tennessee	12"	18"
2318	Texas	12"	18"
93143	Texas	20"	30"
93130	Utah	12"	18"
93131	Vermont	12"	18"
93132	Virginia	12"	18"
93133	Washington	12"	18"
93086	Washington DC	12"	18"
93134	West Virginia	12"	18"
93135	Wisconsin	12"	18"
93136	Wyoming	12"	18"
U.S. Territory Flags			
93085	Puerto Rico	12"	18"
93084	U.S. Virgin Islands	12"	18"



INTERNATIONAL & COURTESY FLAGS

- Courtesy flags or courtesy ensigns are flown by a visiting ship in foreign waters as a token of respect
- Single-sided, water repellent, screen-printed design
- Constructed from a tough 200-denier nylon
- Sewn-in brass grommets offer a secure fit when hanging from your boat



93220 Anguilla Courtesy



93175 Antigua Courtesy



93176 Argentina



93152 Aruba Courtesy



93177 Australia



2018 Bahamas Courtesy



93073 Barbados



93179 Belize Courtesy



93153 Bermuda Courtesy



93147 Brazil Courtesy



93071 British Virgin Isl. C/O



1319 Canada



93181 Cayman Island C/O



93182 Chile Courtesy



93183 Colombia Courtesy



93072 Costa Rica C/O



93141 Cuba Courtesy



93184 Curacao Courtesy



93221 Denmark



93186 Dominica



93070 Dominican Rep. C/O



93187 Ecuador



93188 El Salvador C/O



93222 Finland



#93088 France



93242 Germany



93224 Gibraltar



93297 Greece



93189 Grenada



93148 Guatemala



93190 Haiti Civil



93191 Honduras



93083 Ireland



93075 Italy



93069 Jamaica Courtesy



93240 Japan



93194 Martinique Courtesy



93140 Mexico



93225 Netherlands



93195 Netherlands C/O



93196 New Zealand



93149 Nicaragua Courtesy



93226 Norway



93150 Panama Courtesy



93198 Peru



93239 Poland



93233 Poland with Eagle



93227 Portugal



93085 Puerto Rico



93241 St. Andrews Cross



93228 Solomon Island



93238 Spain / Civil



93199 St. Kitts Courtesy



93200 St. Lucia Courtesy



93201 St. Martin C/O



93209 St. Vincent C/O



93243 Sweden



93236 Scotland Lion



93237 Switzerland



93232 Tahiti



#93229 Thailand



93202 Trinidad Courtesy



93230 Turkey



93203 Turks/Caicos C/O



93298 United Kingdom



#93154 UK Merchant C/O



#93231 Vanuatu



#93151 Venezuela C/O



#93234 Wales

INTERNATIONAL & COURTESY FLAGS

Part #	Description	Height	Width
93220	Anguilla Courtesy	12"	18"
93067	Anguilla National	12"	18"
93175	Antigua Courtesy	12"	18"
93156	Antigua	24"	36"
93157	Argentina	24"	36"
93176	Argentina Civil	12"	18"
93152	Aruba	12"	18"
93177	Australia	12"	18"
93145	Australia	24"	36"
93205	Bahama Country	36"	60"
93206	Bahama Country	48"	72"
2018	Bahamas Courtesy	12"	18"
93073	Barbados	12"	18"
93158	Barbados	24"	36"
93179	Belize	12"	18"
93153	Bermuda	12"	18"
93147	Brazil	12"	18"
93159	Brazil	24"	36"
1331	British Columbia Provincial	12"	24"
1330	British Columbia Provincial	9"	18"
93071	British Virgin Islands	12"	18"
1319	Canada	12"	18"
1328	Canada Applique	12"	24"
1329	Canada Applique	24"	48"
1327	Canada Applique	9"	18"
4813	Canadian	24"	48"
1324	Canadian Ensign	12"	24"
1318	Canadian Ensign	9"	18"
93207	Cayman Island	36"	60"
93181	Cayman Island Courtesy	12"	18"
93208	Cayman Island Ensign	48"	72"
93065	Cayman Island National	12"	18"
93160	Chile	24"	36"
93182	Chile Courtesy	12"	18"
93183	Colombia	12"	18"
93161	Columbia	24"	36"
93072	Costa Rica	12"	18"
93162	Costa Rica	24"	36"
93141	Cuba	12"	18"
93163	Cuba	24"	36"
93184	Curacao	12"	18"
93221	Denmark	12"	18"
93186	Dominica	12"	18"
93070	Dominican Republic	12"	18"
93164	Ecuador	24"	36"
93187	Ecuador Civil	12"	18"
93188	El Salvador	12"	18"
93222	Finland	12"	18"
93088	France	12"	18"
93242	Germany	12"	18"

Part #	Description	Height	Width
93224	Gibraltar	12"	18"
93297	Greece	12"	18"
93189	Grenada	12"	18"
93148	Guatemala	12"	18"
93190	Haiti Civil	12"	18"
93191	Honduras	12"	18"
93083	Ireland	12"	18"
93075	Italy	12"	18"
93069	Jamaica	12"	18"
93165	Jamaica	24"	36"
93240	Japan	12"	18"
93144	Japan	24"	36"
93194	Martinique	12"	18"
93140	Mexico	12"	18"
93225	Netherlands	12"	18"
93195	Netherlands Courtesy	12"	18"
1325	New Canadian Ensign	9"	18"
1326	New Canadian Ensign	12"	24"
1354	New Canadian Ensign	27"	54"
93196	New Zealand	12"	18"
93166	Nicaragua	24"	36"
93149	Nicaragua Courtesy	12"	18"
93226	Norway	12"	18"
93150	Panama	12"	18"
93167	Panama	24"	36"
93198	Peru	12"	18"
93239	Poland	12"	18"
93233	Polish Eagle	12"	18"
93227	Portugal No Sea	12"	18"
93236	Scotland - Rampant Lion	12"	18"
93241	Scotland - St. Andrews Cross	12"	18"
93228	Solomon Island	12"	18"
93238	Spain Civil	12"	18"
93199	St. Kitts Courtesy	12"	18"
93200	St. Lucia Courtesy	12"	18"
93201	St. Marten Courtesy	12"	18"
93168	St. Vincent	24"	36"
93209	St. Vincent Courtesy	12"	18"
93243	Sweden	12"	18"
93237	Switzerland	12"	18"
93232	Tahiti	12"	18"
93229	Thailand	12"	18"
93202	Trinidad Courtesy	12"	18"
93230	Turkey	12"	18"
93203	Turks / Caicos Courtesy	12"	18"
93066	Turks / Caicos National	12"	18"
93298	United Kingdom	12"	18"
93146	United Kingdom	24"	36"
93154	UK Merchant Courtesy	12"	18"
93231	Vanuatu	12"	18"
93169	Venezuela	24"	36"
93151	Venezuela Courtesy	12"	18"
93234	Wales	12"	18"

ALPHABET SIGNAL FLAGS

- Two-sided, water repellent, screen-printed design
- Constructed from a tough 200-denier nylon
- Sewn-in rope and toggle for easy attachment and hanging



93256 - (A)



93257 - (B)



93258 - (C)



93259 - (D)



93260 - (E)



93261 - (F)



93262 - (G)



93263 - (H)



93264 - (I)



93265 - (J)



93266 - (K)



93267 - (L)



93268 - (M)



93269 - (N)



93270 - (O)



93271 - (P)



93272 - (Q)



93273 - (R)



93274 - (S)



93275 - (T)



93276 - (U)



93277 - (V)



93278 - (W)



93279 - (X)



93280 - (Y)



93281 - (Z)

Part #	Code	Height	Width
93256	A	12"	18"
93257	B	12"	18"
93258	C	12"	18"
93259	D	12"	18"
93260	E	12"	18"
93261	F	12"	18"
93262	G	12"	18"
93263	H	12"	18"
93264	I	12"	18"

Part #	Code	Height	Width
93265	J	12"	18"
93266	K	12"	18"
93267	L	12"	18"
93268	M	12"	18"
93269	N	12"	18"
93270	O	12"	18"
93271	P	12"	18"
93272	Q	12"	18"
93273	R	12"	18"

Part #	Code	Height	Width
93274	S	12"	18"
93275	T	12"	18"
93276	U	12"	18"
93277	V	12"	18"
93278	W	12"	18"
93279	X	12"	18"
93280	Y	12"	18"
93281	Z	12"	18"

NUMERICAL SIGNAL PENNANTS

- Two-sided, water repellent, screen-printed design
- Constructed from a tough 200-denier nylon
- Sewn-in rope and toggle for easy attachment and hanging



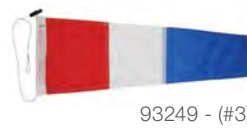
93246 - (#0)



93247 - (#1)



93248 - (#2)



93249 - (#3)



93250 - (#4)



93251 - (#5)



93252 - (#6)



93253 - (#7)



93254 - (#8)



93255 - (#9)

Part #	Code	Height	Width
93246	#0	8-1/2"	16"
93247	#1	12"	18"
93248	#2	12"	18"
93249	#3	12"	18"

Part #	Code	Height	Width
93250	#4	12"	18"
93251	#5	12"	18"
93252	#6	12"	18"

Part #	Code	Height	Width
93253	#7	12"	18"
93254	#8	12"	18"
93255	#9	12"	18"

SIGNAL FLAG & PENNANT SETS



SMALL-CRAFT ADVISORY
-WINDS-
18-33 knots / 28-28 mph

STORM WARNING
-WINDS-
48-63 knots / 55-73 mph

GALE WARNING
-WINDS-
34-47 knots / 39-54 mph

HURRICANE WARNING
-WINDS-
64+ knots / 74+ mph

Storm warning flag set

- High-tensile strength nylon
- Canvas heading
- Brass grommets



International code signal set

- High-tensile strength nylon
- Canvas heading
- Water repellent



Decorative intl. signal string

- 12 assorted signal set
- Tough and durable nylon

Part #	Description	Includes	Height	Width
93174	Storm warning set - hurricane / gale	Two hurricane flags and two gale pennants	18" / 18"	18" / 36"
93245	Signal flag international code set	Includes alphabet, numbers, repeaters and answering pennant	12"	18"
93301	Signal flag international code set	Includes alphabet, numbers, repeaters and answering pennant	18"	24"
93302	Decorative international code set	One 30' string with 12 flags	12"	18"

SPECIALTY SIGNAL FLAGS & PENNANTS



Solid color nylon flags

- High-tensile strength nylon
- Brass grommets
- Fade-resistant



Decorative pennant string

- Six solid colors
- Pennants are plastic coated



Skier down flag

- Fluorescent orange
- Pre-mounted on a wooden pole
- Meets most western-state water skiing safety regulations



Alpha dive flag

- For any small crafts restricted to maneuver while engaged in diving
- Sewn in batten



Diver down flags

- Meets state requirements for diving applications
- Wooden dowel sewn through the center of the flag



Hurricane warning flag

- Winds 64+ knots / 74+ mph
- High tensile strength nylon
- Brass grommets

Part #	Description	Includes	Height	Width
32183	Solid color flag	One red flag	12"	18"
32184	Solid color flag	One white flag	12"	18"
32185	Solid color flag	One yellow flag	12"	18"
93172	Decorative string pennant	One 50' string	13"	15"
93978	Skier down flag	One flag, pre-mounted on an 18" wooden pole	12"	18"
4400	Alpha dive flag	One flag	15"	15"
4200	Diver down flag	One vinyl glo-flame red flag with white diagonal stripe	13"	15"
93173	Diver down flag	One vinyl glo-flame red flag with white diagonal stripe	27"	30"
1938	Hurricane warning flag	One flag	18"	18"



FISHERMAN'S CATCH FLAGS

- Single-sided, water repellent, screen-printed design
- Constructed from a tough 210 denier nylon
- Sewn-in brass grommets offer a secure fit when hanging from your boat



3518 King Mackerel



3218 Shark



4318 Albacore



2918 Blue Marlin



2718 Tarpon



2518 Bluefish



4418 Swordfish



3118 Tuna



3318 Salmon



3018 White Marlin



4118 Wahoo



4218 Dolphin



2618 Striper



2818 Sailfish



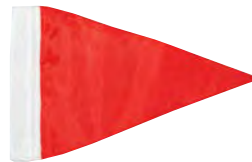
4518 Pickerel



5218 Crappie



4618 Walleye



1937 Release Pennant
5-1/2" x 8-1/2"

Part #	Description	Height	Width
4318	Albacore	12"	18"
2918	Blue Marlin	12"	18"
2518	Bluefish	12"	18"
1921	Chen Blue Marlin	24"	36"
1922	Chen Blue Marlin	36"	60"
1929	Chen Dolphin 36X60	36"	60"
1939	Chen King Mackerel	16"	24"
1940	Chen King Mackerel	24"	36"
1941	Chen King Mackerel	36"	60"
1945	Chen King Mackerel 40	16"	24"
1947	Chen King Mackerel 40	36"	60"
1946	Chen King Mackerel 40	24"	36"
1944	Chen King Mackerel 50	36"	60"
1943	Chen King Mackerel 50	24"	36"
1952	Chen Sailfish	36"	60"
1949	Chen Sailfish	24"	36"
1932	Chen Tuna	36"	60"
1962	Chen U.S. Bass	36"	60"
1955	Chen U.S. Blue Marlin	36"	60"
1954	Chen U.S. Blue Marlin	24"	36"

Part #	Description	Height	Width
1935	Chen Wahoo	36"	60"
1923	Chen White Marlin	16"	24"
1925	Chen White Marlin	24"	36"
4218	Dolphin	12"	18"
3518	King Mackerel	12"	18"
4518	Pickerel	12"	18"
2818	Sail Fish	12"	18"
3318	Salmon	12"	18"
3218	Shark	12"	18"
2618	Striped Bass	12"	18"
4418	Swordfish	12"	18"
1937	Tag and Release Pennant	5-1/2"	8-1/2"
2718	Tarpon	12"	18"
3118	Tuna	12"	18"
4118	Wahoo	12"	18"
4618	Walleye	12"	18"
3018	White Marlin	12"	18"



NOVELTY FLAGS

- Single-sided, water repellent, screen-printed design
- Constructed from a tough 200-denier nylon
- Sewn-in brass grommets offer a secure fit when hanging from your boat



1622 Shut Up and Reel



1718 Skunk



1817 Cat On Board



5618 Crab



5118 Wine Glasses



1814 Calico Jack



5418 Happy Hour



9218 Beer



9118 Cocktail



1818 Jolly Roger



9818 It's Margarita Time



1621 Home of the Brave



1633 Beer Run



93311 Party Pack (includes three flags #1818, #5418, #9218)

Part #	Description	Height	Width
1622	Shut Up & Reel	12"	18"
1718	Skunk	12"	18"
1817	Cat On Board	12"	18"
5618	Crab	12"	18"
5118	Wine Glasses	12"	18"
1814	Calico Jack	12"	18"
5418	Happy Hour	12"	18"

Part #	Description	Height	Width
9218	Beer	12"	18"
93311	Party pack (1818, 5418, 9218)	12"	18"
9118	Cocktail	12"	18"
1818	Jolly Roger	12"	18"
9818	Margarita Time	12"	18"
1621	Home Of The Brave	12"	18"
1633	Beer Run	12"	18"



STAINLESS STEEL FLAG POLE KIT

- Non-corrosive, T304 stainless steel
- Adjustable clips for a taut fit
- Easy installation to boat gunwale
- Mounting base and hardware included

Part #	Pole Diameter	Recommended Flag Size
902	1"	12" x 18"
903	1"	16" x 24"
904	1"	24" x 36"
905	1"	30" x 48"
907	1"	36" x 60"



TEAK FLAG POLES

- Grade-A, kiln-dried teakwood will not warp
- Rot-resistant wood does not deteriorate from the elements
- Hardware and flag not included

Part #	Pole Diameter	Pole Length
60749	3/4"	18"
60750	1"	24"
60752	1"	30"
60754	1-1/4"	36"
60756	1-1/4"	48"



PONTOON FLAG POLE SOCKET WITH FLAG

- Injection-molded nylon mount
- Bright dipped, anodized aluminum pole
- Charlevoix clips
- 10" presentation angle
- Hardware included

Part #	Includes	Flag Height	Flag Width	Pole Length
921	U.S. flag	12"	18"	24"
922	U.S. flag	16"	24"	30"
921CAN	Canadian flag	12"	18"	24"
922CAN	Canadian flag	16"	24"	30"





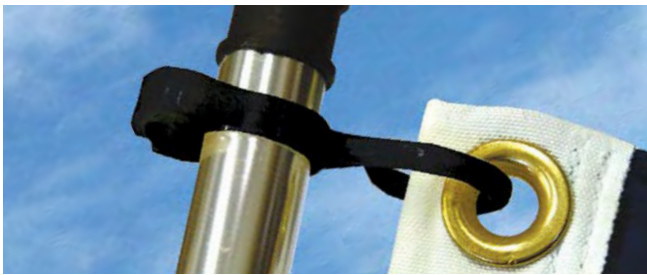
FLAG POLE WITH RAIL MOUNT

- Constructed of T304 stainless steel
- Includes split rings and nylon rail clamp
- Installs on round rails only
- Flag not included

Part #	Fits Rail	Length
971	7/8" to 1-1/4"	15"

CHARLEVOIX® FLAG CLIPS

- Single-piece nylon construction
- Secures in place and easily adjusts to pole
- Includes two clips



Part #	Fits Flag Poles	Width	Length
57926	3/4"		
57928	7/8" to 1"	1-1/8"	2-3/4"

CHARLEVOIX® BURGEE & ANTENNA CLIPS

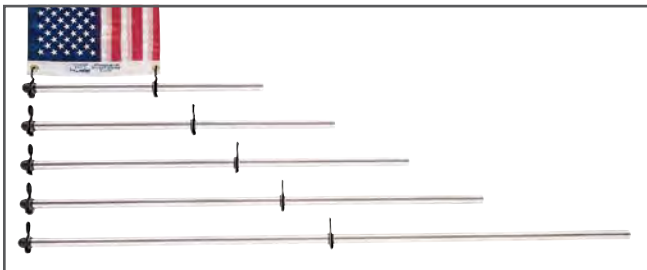
- Securely fly your flag from your antenna
- Included neoprene for use with poles on antennae smaller than 1/2"



Part #	Fits BurgEE and Whip Antennae
57925	1/2"

FLAG POLE WITH CHARLEVOIX® CLIPS

- 3/4" anodized aluminum clips are designed to clamp tight or spin
- Adjustable bottom clip and O-ring

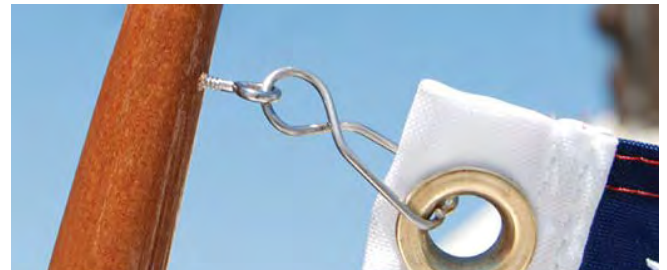


Part #	Length
915	18"
916	24"
917	30"

Part #	Length
918	36"
919	48"

SKIPPER FLAG CLIPS

- Stainless steel
- Includes four clips and self-tapping screws



Part #	Includes
57933	Four clips and self-tapping screws



KW-SERIES FLAGPOLE MOUNT

- Adjustable receptor accepts a 3/4", 1" or 1-1/4" flagpole
- Can be used when pulling a skier or tuber
- Universal design with easy clamp-on installation
- Can be used as a fishing rod holder or for spotlights
- Includes two drain holes
- Mounting hardware included



NEW



Installing the boat flag pole mount is a snap. Simply clamp the mount on the round tube tow bar with four bolts and you're done



Our boat flag pole mount holds your boat flag securely at high speeds



Features a padded clamp will not scuff or damage your tow bar finish

Part #	Accepts Flagpole Sizes O.D.	Fits Tow Bar Tube Sizes
943	3/4", 1" and 1-1/4"	1-1/2" and 2-1/2"

RAIL MOUNT FLAG SOCKET

- Mounts to 7/8" to 1-1/4" rails
- Adjusts to any angle
- T304 stainless steel
- Round rails only



Part #	Fits Rails	Fits Flag Poles
968	7/8" to 1-1/4"	3/4" to 7/8"

TOP MOUNT FLAG POLE SOCKETS

- T316 polished stainless steel
- Secures to gunwale
- Hardware not included



Part #	Tilt Angle	Fits Flag Poles
965	10°	1"
966	10°	1-1/4"

SLANTED FLAG POLE SOCKET

- Socket is slanted to allow you proudly hang your flag from your boat
- Secures to gunwale
- Hardware not included
- Made with a triple chrome plate



Part #	Fits Flag Poles
962	3/4" to 1"

FLUSH MOUNT FLAG POLE SOCKET

- Made from beautiful, long lasting, T316 polished stainless steel
- Insets nearly flush to the deck



Part #	Slant Angle	Fits Flag Poles
967	60°	1-1/4"



RAIL MOUNT FLAG POLE SOCKETS

- Designed to securely fasten to either 7/8" to 1" or 1-1/8" to 1-1/4" rails
- Perpendicular to the rail

Part #	Adapts Rail	Flag Staff
960	7/8" to 1"	1"
961	7/8" to 1"	1/2"
973	7/8" to 1"	1" (with thumb screw)
974	1-1/8" to 1-1/4"	1" (with thumb screw)



961



974



BOAT MAINTENANCE

FEATURED PRODUCTS



Power pro

Clean like a pro with the Power Pro portable pressure washer that lets you clean where you want, when you want, hassle-free.



Marine cleaners

Clean your boat's interior with a name you can trust! We offer a variety of cleaning products for marine applications.



Ultra III hatches

Featuring gray tempered safety glass for scratch resistance and clarity and security locking handles with lock-in vent position.

PRODUCT INDEX



170
Ultra III Hatches & Parts



171
Hatch Replacement Parts



172
Windshield Accessories



174
Standard Gas Shocks



175
Stainless Steel Gas Shocks



175
Mounting Hardware



177
Power Pro 40V Power Washer



177
Marine Cleaners



ULTRA III HATCHES

- Grey-tempered safety glass for scratch resistance and clarity
- Security locking handles with lock-in vent position
- Positive-lock riser arms for easy operation
- Pre-drilled mounting holes for easy installation
- Includes trim ring for a finished look
- Screens sold separately



Part #	Frame Width	Frame Length	Hole Cut-Out Width	Hole Cut-Out Length	Screen #
50101	12-3/8"	12-3/8"	9-5/8"	9-5/8"	50102
50103	14-3/4"	14-3/4"	12"	12"	50104
50105	15-5/8"	20-7/16"	12-7/8"	17-11/16"	50106
50107	19-7/16"	19-7/16"	16-11/16"	16-11/16"	50108
50109	20-3/4"	20-3/4"	18"	18"	50110
50111	22-1/2"	22-1/2"	19-3/4"	19-3/4"	50112

ULTRA III HATCH REPLACEMENT ARMS & HANDLES

- Includes two handles and arms

Part #	Compatible With Hatch #
1732	50101
1733	50103 or 50105
1734	50107
1735	50109
1736	50111



HATCH REPLACEMENT PARTS

- See table for model year fitment
- All hatch riser arms and handles are universal and can be used on the left or right side



Part #	Description	Fits Model Year	Includes
1720	Handle assembly	1990 - Present	One handle, post, O-rings, screw
1731	Handle assembly	1994 - Present	One handle, post, O-rings, lock, screw
1724	Hatch riser arm for 10" x 10" hatches	1990 - Present	One arm
1723	Hatch riser arm for 12" x 12" hatches	1990 - Present	One arm
1728	Hatch riser arm for 13" x 13" hatches	1990 - Present	One arm
1729	Hatch riser arm for 17" x 17" hatches	1990 - Present	One arm
1730	Hatch riser arm for 18" x 18" hatches	1990 - Present	One arm
1722	Hatch riser arm for 20" x 20" hatches	1990 - Present	One arm
1721	Hatch riser arm locking knob	1994 - Present	One knob
1725	D-sponge gasket	1990 - 1993	7' gasket strip
1726	Installation foam (1/4" x 1/2")	1990 - Present	8' foam strip

WINDSHIELD ACCESSORIES



Adjustable side vent handles

- Replaces most original handles on side vent windows
- Easy installation
- Includes one left-hand and one right-hand handle

Part #	Fits
11616	Side windows having exactly 1/4" mounting hole



Hidden hold-down fasteners

- Includes four fasteners, nuts and rubber grommets

Part #	Material
1607	Stainless steel



Windshield support bars

- Keeps your boat's walk-through windshield braced
- Lightweight, durable anodized aluminum
- Includes one arm per package

Part #	Size	Part #	Size
1632	11"	1638	14"
1634	12"	1639	14"
1636	13"	1641	15"
1637	13"	1642	16"



Top-lok windshield clips

- Easily secure the boat cover to the windshield
- For freshwater and saltwater environments
- Includes four clips per package

Part #	Fits	Material
1348	3/4" trim	Stainless steel
1344	7/8" trim	Stainless steel



Window savers

- Stops plastic windows from getting burned by hot tubing
- Includes six clips per package

Part #	Fits
11747	7/8" tubing - 6 per pack
11748	1" tubing - 6 per pack



Windshield male snap adapter

- Used for many OEM windshields and canvases
- Inserts accept standard male screw-in snaps
- Includes six sets of inserts and snaps

Part #	Fits Trim Grooves	Insert Material
407	.2" wide x .5" deep	Nylon

WINDSHIELD ACCESSORIES



1162

Turn latches

- Simple twist latch for securing walk-through windshields or other hatch openings
- Includes two latches and self-tapping screws

Part #	Material
1162	Black thermoplastic

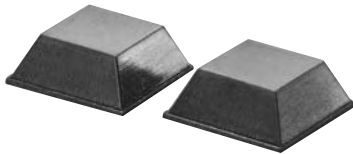


1163

Door catches

- For walk-through windshields and other doors
- Holds door in place against vibration and motion
- Includes one catch, one ball stud and screws

Part #	Material
1163	Black thermoplastic



1167

Door pads

- Adhesive-backed rubber provides protection for windshield doors

Part #	Size
1167	3/4" x 3/4"



826500

White twin-flap deck channel

- Punched to accommodate hidden fasteners or external angles

Part #	Thickness	Width	Length
826500	1/4"	5/8"	9' 2"



Windshield screw cover foam

- PVC, self-adhering based foam
- Used on OEM windshields

Part #	Thickness	Width	Length
1630	1/2"	3/4"	6'
1631	5/8"	1-1/4"	8'



1166

Foam tape

- Adhesive-backed vinyl tape provides a seal between the windshield bottom and the boat deck

Part #	Thickness	Width	Length
1166	1/4"	3/4"	35'

STANDARD GAS SHOCKS

- Strong, annealed-steel rod with a special coating for added corrosion resistance
- Ideal choice when used near or around high salt water areas
- Fit 10 mm ball ends unless noted
- P1 force is equal to the pounds of force exerted when the gas spring is in the fully open or extended position



Part #	Force (L x P1)		Part #	Force (L x P1)		Part #	Force (L x P1)		Part #	Force (L x P1)	
	Length	P1		Length	P1		Length	P1		Length	P1
1822-10	10"	10 lbs.	1835-10	20"	10 lbs.	1869-40**	28"	40 lbs.	1874-120	7-1/2"	120 lbs.
1822	10"	20 lbs.	1835	20"	20 lbs.	1869-50**	28"	50 lbs.	1875-20	10-1/2"	20 lbs.
1822-30	10"	30 lbs.	1836	20"	30 lbs.	1869-80**	28"	80 lbs.	1875-30	10-1/2"	30 lbs.
1822-50	10"	50 lbs.	1837	20"	40 lbs.	1869-100**	28"	100 lbs.	1875-40	10-1/2"	40 lbs.
1823	10"	40 lbs.	1838	20"	60 lbs.	1870-30	26"	30 lbs.	1875-80	10-1/2"	80 lbs.
1824-10	12"	10 lbs.	1839	20"	80 lbs.	1870-40	26"	40 lbs.	1876-20	15"	20 lbs.
1824	12"	20 lbs.	1840	20"	90 lbs.	1879-50	26"	50 lbs.	1876-30	15"	30 lbs.
1824-40	12"	40 lbs.	1843-20	20"	20 lbs.	1870-60	26"	60 lbs.	1876-40	15"	40 lbs.
1824-50	12"	50 lbs.	1843-40	20"	40 lbs.	1870-120	26"	120 lbs.	1876-60	15"	60 lbs.
1824-60	12"	60 lbs.	1843-50	20"	50 lbs.	1870-150	26"	150 lbs.	1876-70	15"	70 lbs.
1825	12"	30 lbs.	1843-60	20"	60 lbs.	1871-100**	36"	100 lbs.	1876-80	15"	80 lbs.
1826-10	15"	10 lbs.	1843-70	20"	70 lbs.	1871-120**	36"	120 lbs.	1876-90	15"	90 lbs.
1826	15"	20 lbs.	1843-100	20"	100 lbs.	1871-130**	36"	130 lbs.	1877-20	12"	20 lbs.
1826-50	15"	50 lbs.	1843-110	20"	110 lbs.	1871-180**	36"	180 lbs.	1877-30	12"	30 lbs.
1827	15"	30 lbs.	1843	20"	120 lbs.	1871-20**	36"	20 lbs.	1877-40	12"	40 lbs.
1828	15"	40 lbs.	1843-150	20"	150 lbs.	1871-30**	36"	30 lbs.	1878-20	26"	20 lbs.
1829	15"	60 lbs.	1863-10	7-1/2"	10 lbs.	1871-40**	36"	40 lbs.	1878-30	26"	30 lbs.
1830-10	17"	10 lbs.	1863	7-1/2"	20 lbs.	1871-50**	36"	50 lbs.	1878-40	26"	40 lbs.
1830	17"	20 lbs.	1863-30	7-1/2"	30 lbs.	1871-60**	36"	60 lbs.	1878-50	26"	50 lbs.
1830-50	17"	50 lbs.	1864	7-1/2"	40 lbs.	1871-70**	36"	70 lbs.	1878-80	26"	80 lbs.
1831	17"	30 lbs.	1866-20*	10"	20 lbs.	1871-80**	36"	80 lbs.	1878-100	26"	100 lbs.
1832	17"	40 lbs.	1866-30*	10"	30 lbs.	1871-90**	36"	90 lbs.	1878-120	26"	120 lbs.
1833	17"	60 lbs.	1866-40*	10"	40 lbs.	1872-20	10"	20 lbs.	1879-30	23"	30 lbs.
1834-20	17"	20 lbs.	1866-70*	10"	70 lbs.	1872-50	10"	50 lbs.	1879-40	23"	40 lbs.
1834-40	17"	40 lbs.	1868-20*	15"	20 lbs.	1874-20	7-1/2"	20 lbs.	1879-60	23"	60 lbs.
1824-80	17"	80 lbs.	1868-30*	15"	30 lbs.	1874-30	7-1/2"	30 lbs.	1879-70	23"	70 lbs.
1834	17"	90 lbs.	1868-40*	15"	40 lbs.	1874-40	7-1/2"	40 lbs.	1879-80	23"	80 lbs.
1834-120	17"	120 lbs.	1869-30**	28"	30 lbs.	1874-60	7-1/2"	60 lbs.	1879-100	23"	100 lbs.

*Blade End **13mm Ball End

*Blade End **13mm Ball End

*Blade End **13mm Ball End

*Blade End **13mm Ball End

STAINLESS STEEL GAS SHOCKS

- Made from 316 stainless steel for the harshest marine environments
- Ideal choice when used near or around high salt water areas
- Fit 10 mm ball ends unless noted
- P1 force is equal to the pounds of force exerted when the gas spring is in the fully open or extended position



Part #	Force (L x P1)	
	Length	P1
1844-10	7-1/2"	10 lbs.
1844	7-1/2"	20 lbs.
1844-10	7-1/2"	10 lbs.
1845	7-1/2"	40 lbs.
1846	10"	20 lbs.
1848	10"	40 lbs.
1849	15"	20 lbs.

Part #	Force (L x P1)	
	Length	P1
1850	15"	40 lbs.
1851	15"	60 lbs.
1852	20"	20 lbs.
1852-50	20"	50 lbs.
1853	20"	40 lbs.
1854	20"	60 lbs.
1855	20"	90 lbs.

Part #	Force (L x P1)	
	Length	P1
1856	20"	120 lbs.
1894-10	20"	10 lbs.
1895-10	12"	10 lbs.
1895-20	12"	20 lbs.
1895-30	12"	30 lbs.

MOUNTING HARDWARE



Part #	Style	Size	Finish	Qty
Flat Brackets With Ball Studs				
1857	Flat	2.25"	Black oxide	2
1858	Flat	2.25"	Stainless	2
1880	Flat	2.25"	Zinc-plated	2
1885	Flat	13 mm	Zinc-plated	2
1886	Flat	13 mm	Stainless	2
Ball Studs				
1889	Standard	13 mm	Zinc-plated	1
1890	Standard	13 mm	Stainless	1
1865	Standard	10 mm	Black oxide	1
1892	Standard	10 mm	Stainless	1
1893	Long thread	10 mm	Zinc-plated	1

Part #	Style	Size	Finish	Qty
Angled Brackets With Ball Studs				
1860	Angled	2" x 1.25"	Black oxide	2
1861	Angled	2" x 1.25"	Stainless	2
1883	Angled	2"	Stainless	2
1884	Angled	13 mm	Zinc-plated	2
1887	Angled	13 mm	Zinc-plated	1
1888	Angled	13 mm	Stainless	1
1891	Double-angled	2.25"	Stainless	2
1881	Angled with five holes	2"	Zinc-plated	2
1859	Angled with five holes	2"	Stainless	2
1882	Angled / tapered	4"	Zinc-plated	2



POWER PRO 40V PORTABLE POWER WASHER

- Battery powered, no fuel or power cords required
- Fast, three-hour charging time per battery
- Includes long and rotatable nozzles
- 6-in-1 spray attachment and 25 oz. soap bottle
- Includes two 40V lithium ion batteries
- Runs up to 26 minutes on high pressure and 35 minutes on low
- Cannot be connected to a garden hose
- 520 Max PSI



2020212913



Lightweight, portable design for at-home cleaning jobs or for spraying down camping gear, boats, piers, ATVs and more



6-in-1 spray attachment with long and short rotatable spray nozzles allow you to choose your cleaning style for every job



No hose, fuel or power cords required; simply drop your line in any water source and start cleaning

Part #	Run Time	Pressure	Weight
2020212913	26 mins on / 35 mins on low	520 max PSI	3.6 lbs.

MARINE CLEANERS

We offer a variety of cleaning products for RV and marine applications. From washing and waxing your exterior to cleaning and conditioning your interior upholstery, we have the products you need to keep your rig or boat looking good as new.



Part #	Description	Size
2022013794	One step wash and wax	2L
2022013808	Mold and mildew stain remover	32-oz.
2022013916	All purpose cleaner	32-oz.
2022013920	Bathroom cleaner	32-oz.
2022013922	Carpet & upholstery cleaner	32-oz.

Part #	Description	Size
2022013924	Leather & vinyl conditioner	32-oz.
2022013927	Fiberglass wax	32-oz.
2022013931	Water & stain repellent	32-oz.
2022013937	Metal cleaner & polish	32-oz.



**NAVIGATING
INSPIRATION.**



CUSTOMER SERVICE

Connect with us

Lippert is an industry leader in customer service. As such, we are constantly producing resources to help answer your questions and set your business up for success. We also actively maintain several channels of communication that allow you to stay in touch, including social media.



Customer Care Center

800.628.5188

We have answers to all your questions. Call us for product information and more.



YouTube

youtube.com/taylormademarine

Subscribe to us on YouTube and stay informed with new product videos, reviews and company news.



Lippert Store

store.lci1.com

Need to check out replacement or upgrade parts and products? We make it easy with our online parts store.



Instagram

instagram.com/taylormadeproducts

Follow us for an insider's look into the recreational lifestyle.



Lippert Blog

store.lci1.com/blog

Visit the Lippert blog to read about the latest marine lifestyle trends, maintenance tips, buying guides and more.



Facebook

facebook.com/taylormadeproducts

Like us for exciting new product launch info and Lippert company news, photos, videos and more.



Media Center

lci1.com/media-center

Want access to product videos, images, catalogs and literature? Visit Lippert Media Center to download what you need.



NAVIGATING INSPIRATION.

Taylor Made, a Lippert brand, is an American manufacturer and global supplier of expertly engineered, customized marine components and industry-best boating accessories to the recreational marine industry. Taylor Made is known for setting the design standard in the marine industry. We supply the OEM market and aftermarket with highly innovative products, including boat tops, fenders, seating, premium glass solutions and more. Since 1908, Taylor Made has been committed to elevating the onboard experience through unrivaled quality and top-performing products.





CONNECT WITH US



PHONE
800.628.5188



WEB
TAYLORMADEPRODUCTS.COM



SOCIAL MEDIA
@TAYLORMADE / #TAYLORMADE

ADDRESS

HEADQUARTERS

52567 INDEPENDENCE COURT
ELKHART, IN 46514